

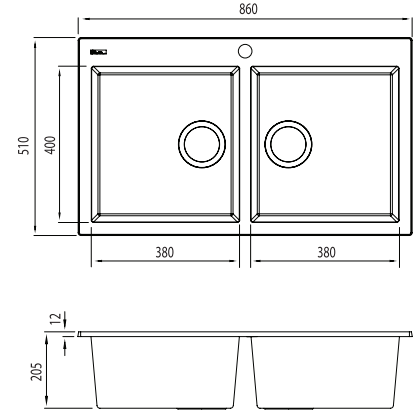
# Santorini

Italian made

All dimensions in mm

## ST-WH1564

White Double Bowl Topmount Sink



### Specifications /

|  |   |
|--|---|
| <b>Sink size</b>                         | 860W x 510H mm  |
| <b>Bowl size</b>                         | Standard Bowl 1<br>380W x 400H x 210D / 32L<br>Standard Bowl 1<br>380W x 400H x 210D / 32L  |
| <b>Construction</b>                      | Moulded granite   |
| <b>Material</b>                          | 80% granite and quartz particles and 20% acrylic  |
| <b>Installation</b>                      | Topmount  |
| <b>Fixings</b>                           | Topmount clips supplied   |
| <b>Min cabinet size</b>                  | 900 mm  |
| <b>Tap holes</b>                         | 1 tap hole only   |
| <b>Waste fittings</b>                    | 2 x 90 mm basket wastes included  |
| <b>Overflow</b>                          | Not available   |
| <b>Carton size</b>                       | 960 x 580 x 310 mm  |
| <b>Weight</b>                            | 16 kg   |
| <b>Warranty</b>                          | Lifetime manufacturer's warranty (refer to <a href="http://oliveri.com.au">oliveri.com.au</a> )   |
| <b>Maintenance and care instructions</b> | Clean the sink regularly with warm water, a liquid detergent and a soft cloth. Do not use abrasive powders or creams and avoid chemically aggressive detergents. Generic stains should be removed immediately with very hot water and a cleaning product. For organic stains which are especially difficult to remove, it is recommended that you fill the sink with a highly diluted organic cleaner such as bleach and let stand overnight. The next morning, rinse with warm water and a soft cloth. |

### Included accessories /



**AC28**  
Basket Waste



**AC28**  
Basket Waste