

# 90cm Freestanding Dual Fuel Cooker *with Brass Burners*

MODEL / IUC9010S

## OVEN FEATURES

- 10 functions
- 115L oven capacity
- Pillar design
- Twin fans for quick pre-heat
- Cavity cooling system
- Stainless steel & black glass finish
- Programmable LED timer
- Knobs and touch controls
- Thermostatically controlled grill
- Two lights
- Storage drawer compartment

## COOKTOP FEATURES

- 5 Italian made Sabaf burners  
— including 1 wok burner
- Heavy duty cast iron trivets
- Easy-slide trivet design
- Brass burners

## 10 × COOKING FUNCTIONS

- Light, Bake (Conventional),  
Fan-forced, Fan Assist, Fan  
Forced Bake, Roast, Full Grill, Half  
Grill, Pastry bake + Pizza, Defrost

## ACCESSORIES

- Enamelled baking tray
- Two wire racks
- Rotisserie
- LPG conversion kit  
and LPG test point

## CLEANING

- Easy to remove door with  
quick release hinges
- Easy to clean enamelling  
oven interior
- Quick release, heavy duty  
chrome side racks
- Self-cleaning catalytic liners

## PRODUCT DIMENSIONS

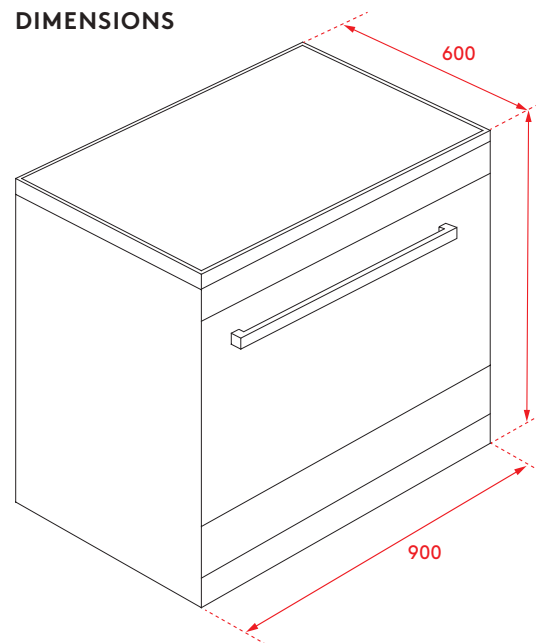
- Packaged (w, d, h mm):  
935 × 697 × 1010mm
- Physical (w, d, h mm):  
895 × 597 × 858–918 mm
- Weight (gross/net):  
96kg/81kg

## SAFETY

- Triple glazed door



## DIMENSIONS



## DETAIL



ALL INALTO PRODUCTS COME WITH A 2 YEAR WARRANTY. AUSTRALIAN CUSTOMERS ARE ELIGIBLE TO RECEIVE 1 EXTRA YEAR FOR FREE, SIMPLY REGISTER ONLINE WITHIN 90 DAYS OF PURCHASE

[WWW.INALTO.HOUSE/REGISTRATION](http://WWW.INALTO.HOUSE/REGISTRATION)