

HAVEN
KITCHENS

BY FORMICA®



Cabinetry Installation Guide

Accurate as of September 2023

Introduction

This guide has been produced to give information on how to effectively install a Haven Kitchen by Formica™. It contains not only installation information, but also assembly details where necessary.

We would encourage you to keep this for reference when installing Haven Kitchens by Formica™ in the future.

Please refer to the Haven Kitchens by Formica™ Kitchen Installation Manual for more comprehensive information. Our Manual includes links to all applicable:

- Safety Data Sheets;
- Warranty;
- Technical Data Sheet; and
- Cleaning & Maintenance.

Our Manual and this Guide must be read with our Special Conditions available at <https://www.havenkitchens.com.au/terms-and-conditions/special-conditions>

The Haven Kitchens by Formica offer is limited to qualified Tradespersons who verify that they have, hold and will maintain all relevant (current) licences, registration and expertise to perform the works and services necessary to design, fabricate, install, test and commission Haven Kitchens products, appliances, accessories, fixtures and fittings for their clients.

The Tradesperson is responsible for ensuring that:

- the method and hardware used to affix cabinets, appliances or accessories to walls and/or structures are assessed as suitable for the weight, height & use of the cabinet and that structural integrity of the walls/ structure and substrate into which such fixings are made is checked as sound and fit for the application.
- the weight of any appliances fitted into or onto or supported by the cabinets do not overload the load capacity of the shelves, hardware, benchtop or other component of the cabinet assembly.
- their selection of shelves, brackets, fixings or other component of the cabinet assembly is sound and fit for the application and will withstand the typical loads that may be subject to in normal use.
- all local, State and Federal laws, Australian Standards and codes that may apply to some or all of the project are adhered to and that all works are compliant with the Building Code of Australia.

Please refer to our Special Conditions for more details on your Tradesperson responsibilities.

Plumbing, gas & electrical services must be carried out by licenced tradespersons qualified to perform those services.

This guide does not substitute for third party manufacturers specifications, fabrication or installation requirements, or any Requirements that may apply. To the extent of any discrepancy between the content of this document, our Manual, third party manufacturers specifications and any Requirements, the higher standard prevails. The content of this document is intended as a guide only and its use in any respect is strictly at your own risk. While every effort has been made to ensure the accuracy of this information, Laminex cannot be held responsible for any errors, omissions or defect. The reader must make its own enquiries and satisfy themselves as to the suitability of the information for their particular project or application. To the extent permitted by law, Laminex disclaims all liability (including liability for negligence) for all loss, damage, liability or claim resulting from the use of the information provided in this document.

Copyright in this document is owned by Laminex Group Pty Limited (Laminex). All rights reserved. Except as permitted by law, no part of this document may be photocopied, published, adapted, broadcast, transmitted, recorded or reproduced in any form or by any means, without the prior written permission of Laminex.

Published 2023
Copyright © 2023 Laminex Group Pty Limited

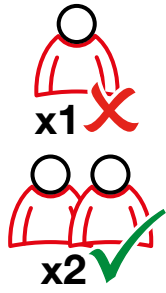
General information

Appliance towers are supplied in a standard format and may require modification depending on the appliances you are using. Follow the appliance tower section of the manual for the different configurations and adjust the cabinet accordingly.

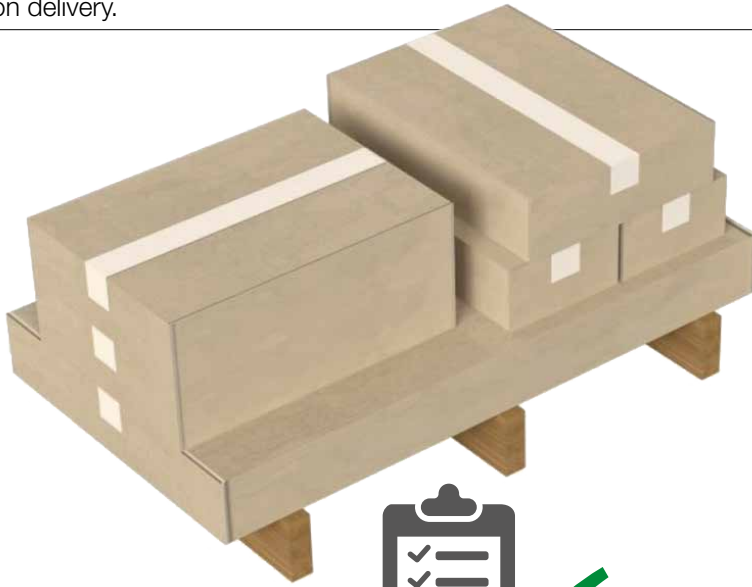
Appliances should be installed according to the manufacturer's instructions.

Introduction	page 3
Possible tools required	page 5
Best practices	page 6
Planning dimensions	page 7
Start in a corner	
Blind corner base - 400 Door / 450 Door / 500 Door planning	page 8
Blind corner base - 400 Door / 450 Door / 500 Door	page 8
1000 L Shaped corner base cabinet	page 12
Wall cabinet planning	page 14
Wall cabinet	page 14
700 L Shaped corner wall cabinet	page 16
1000/700 L Shaped corner base and wall cabinet - Bi-fold doors	page 17
700 L Shaped corner base and wall cabinet - Doors + fillet	page 18
Appliance tower	
Appliance tower options	page 19
Shelf configurations	page 20
Filler strip	page 23
Adapt tower to suit the options available	page 24
600 and 900 Oven base cabinets	
600 Oven base cabinet - Option 1	page 26
600 Oven base cabinet - Option 2	page 27
900 Oven base cabinet - Option 1	page 29
900 Oven base cabinet - Option 2	page 30
Sink base cabinet	
600 / 800 / 900 / 1000 Door / Deep drawer	page 32
Pantry	
800/1000 Pantry	page 33
1000/1200 Corner pantry - Preparation	page 34
1000/1200 Corner pantry with return base and wall cabinet	page 35
1000/1200 Corner pantry with return tower cabinet	page 36
1000/1200 Corner pantry - Attach doors	page 37
800/1000 Pantry - Internal drawer option (4+1)	page 38
800/1000 Pantry - Internal drawer option (2+1)	page 39
Height adjustment	
Base and tower cabinets, (generic)	page 40
Fix cabinets to wall	
Fix base cabinets to wall	page 41
Fix tall cabinets to wall	page 42
Fix wall cabinets to wall	page 43
500 and 600 Pantry internal drawers	
Internal drawer option (4+1)	page 44
Internal drawer option (2+1)	page 45
Internal drawer assembly	page 46
Internal drawer removal	page 48
Base drawer frontals	
Base drawer frontals	page 49
Door hinges and jointing plates	
Fit door hinges and adjustment	page 52
Fit door jointing plates	page 52
Kick board	
Attach front kick board	page 53
Attach return kick board	page 53
Internal corner	page 54

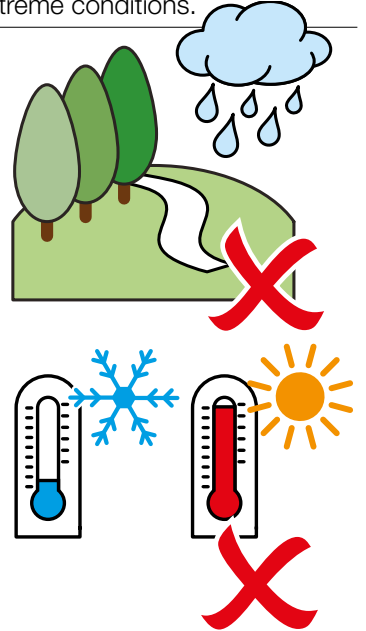
Best practices



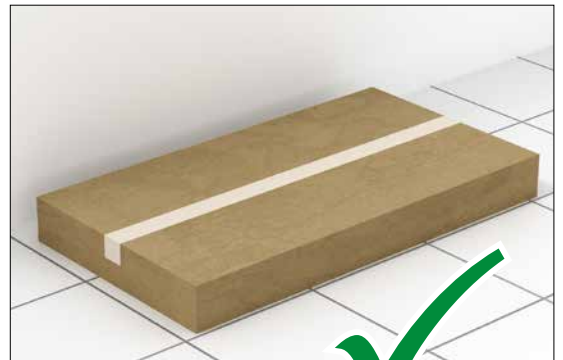
Check all packages on delivery.



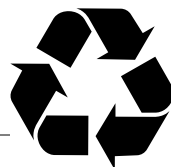
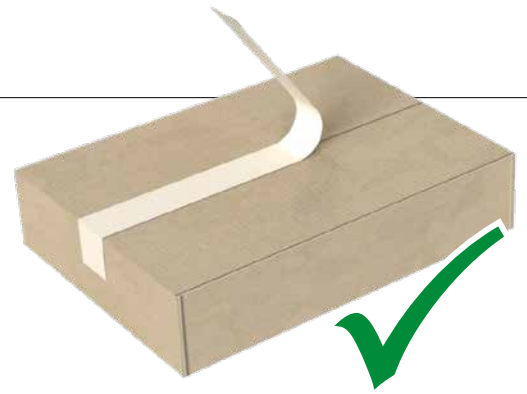
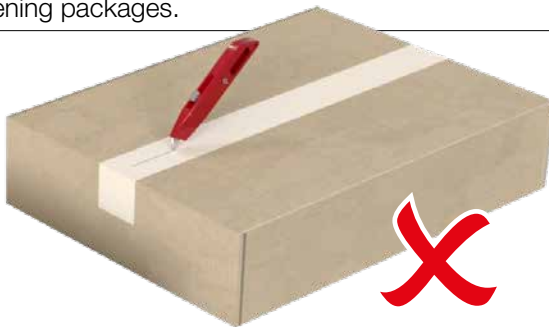
Don't store in extreme conditions.



Store packages flat.



Don't use sharp objects when opening packages.



Planning dimensions



Mid-height wall cabinet

Base cabinet

Wall cabinet

Base cabinet

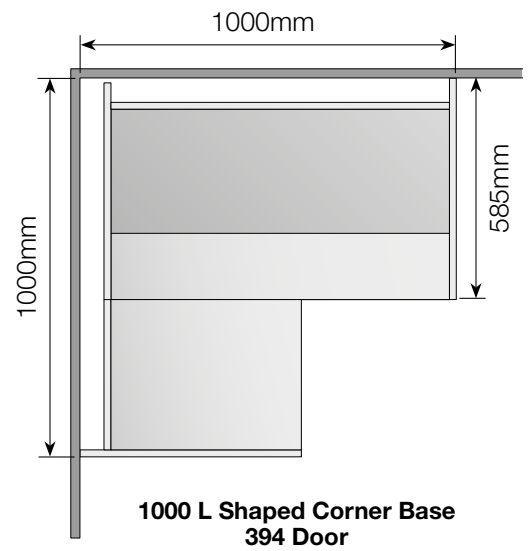
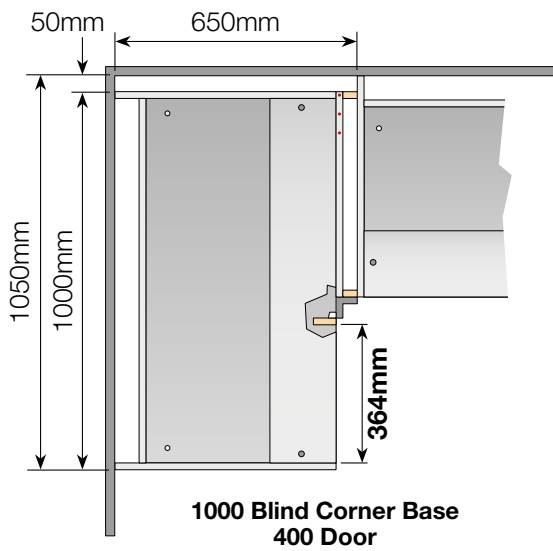
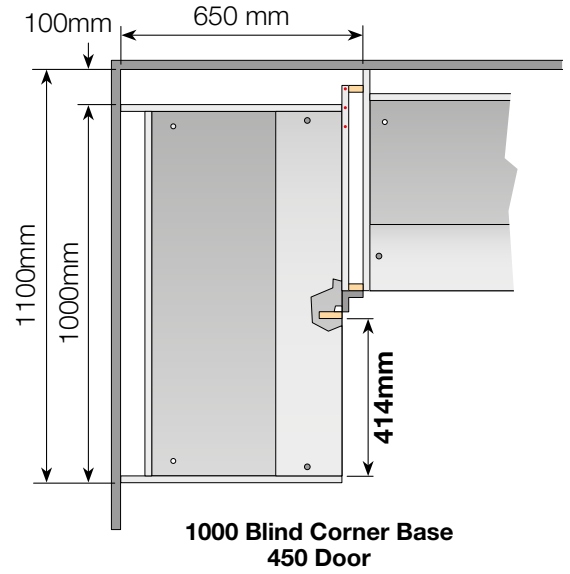
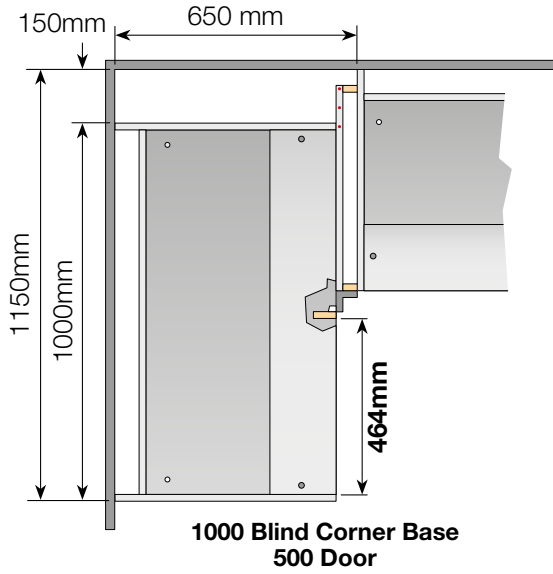
Tall cabinet

Appliance, (illustrated)
Pantry

Start in a corner - Blind corner base - 400 Door / 450 Door / 500 Door



Corner planning (LH illustrated, RH opposite)



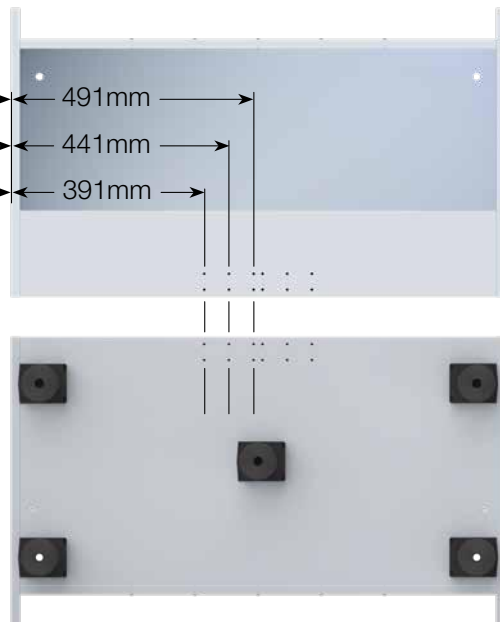
Start in a corner - Blind corner base - 400 Door / 450 Door / 500 Door



Drill 5mm through front rail and base using appropriate position for the Door Size (LH illustrated, RH opposite)

①

- 500 Door** → 491mm
- 450 Door** → 441mm
- 400 Door** → 391mm



Start in a corner - Blind corner base - 400 Door / 450 Door / 500 Door



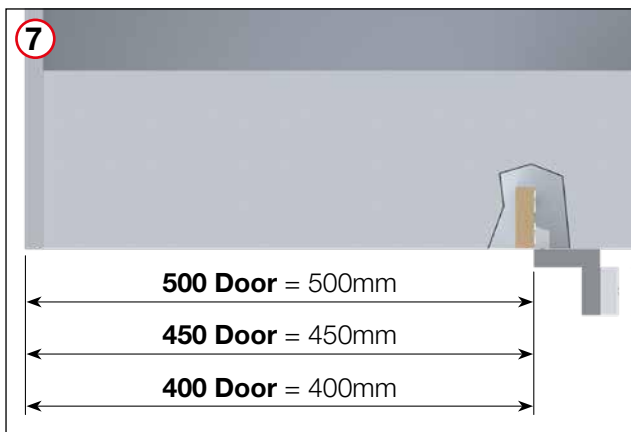
Attach centre upright (LH, 500 opening illustrated)



Start in a corner - Blind corner base - 400 Door / 450 Door / 500 Door



Prepare and fit fillet (LH, 500 opening illustrated)

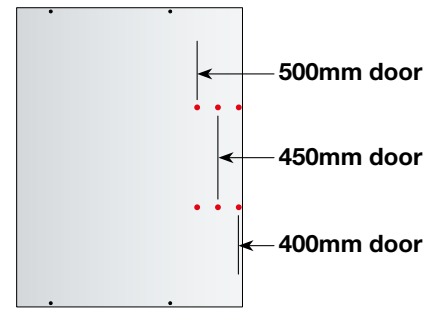


x2
4x30mm CSK

Start in a corner - Blind corner base - 400 Door / 450 Door / 500 Door



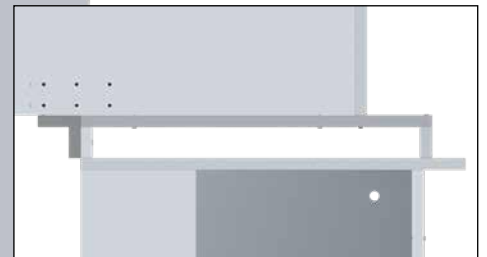
Attach blanking panel and spacer (LH, 500 opening illustrated)



x6-8
45mm KD screw
(not supplied)



Connect cabinets (LH, 500 opening illustrated)

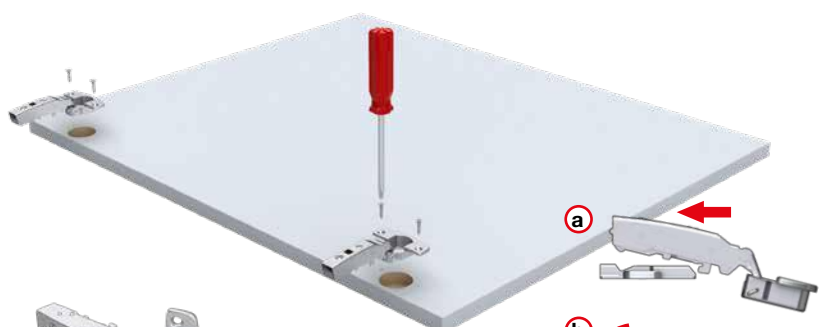


x3
45mm KD screw
(not supplied)

Fit 110° hinges

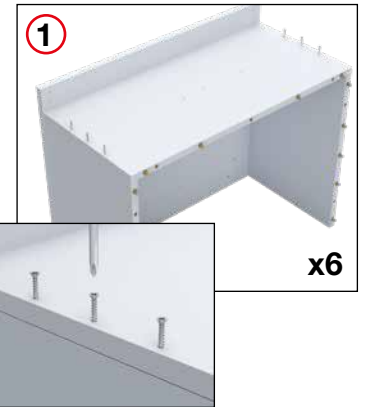
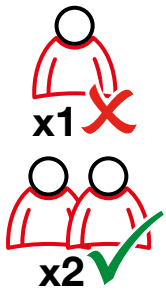
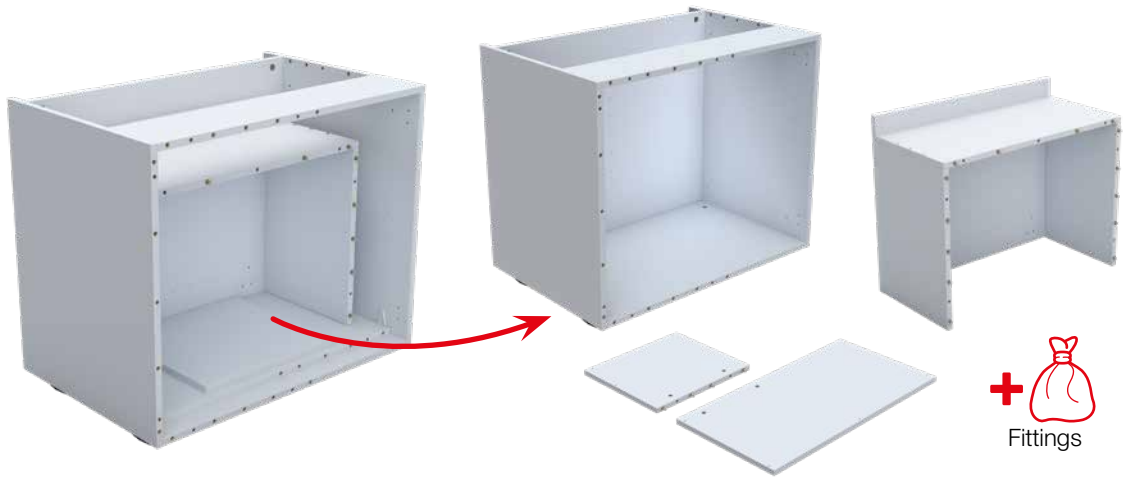


x2

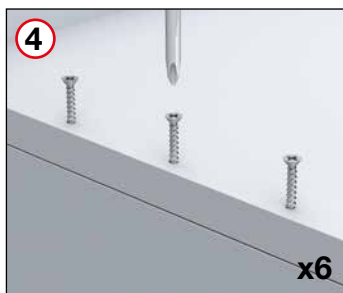
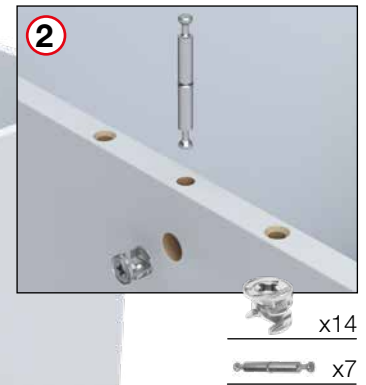
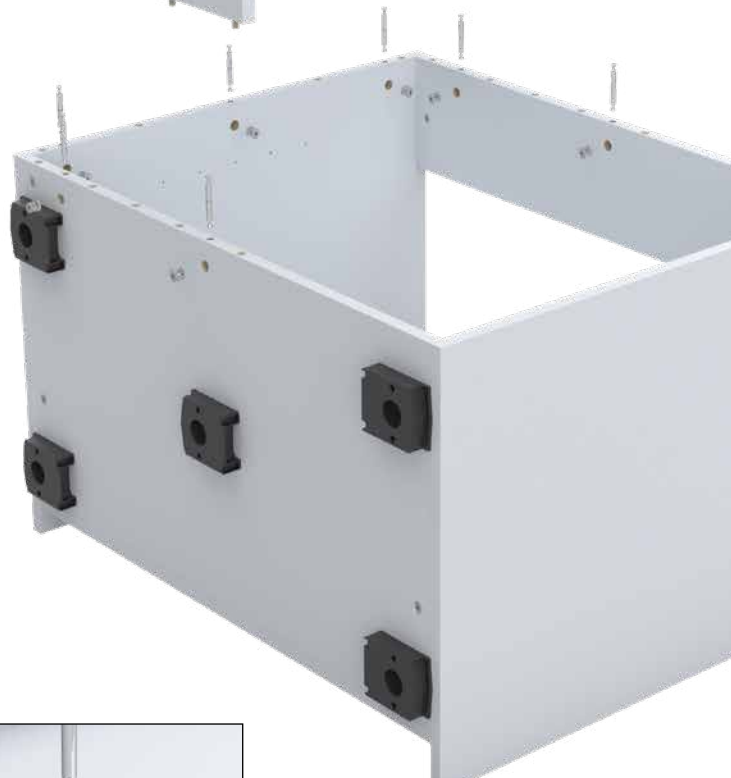


x2 x4
3.5x13mm CSK

Start in a corner - 1000 L Shaped corner base cabinet



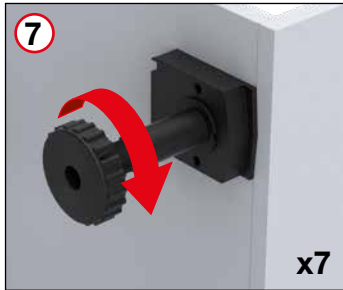
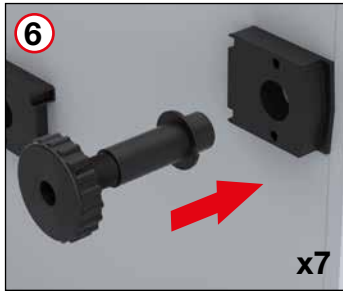
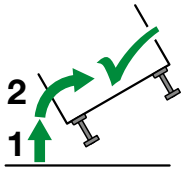
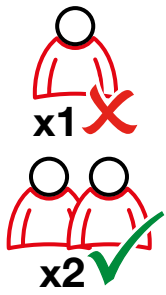
For ease of assembly
loosen screws x6.
DO NOT remove completely.



Re-tighten screws x6.



Start in a corner - 1000 L Shaped corner base cabinet

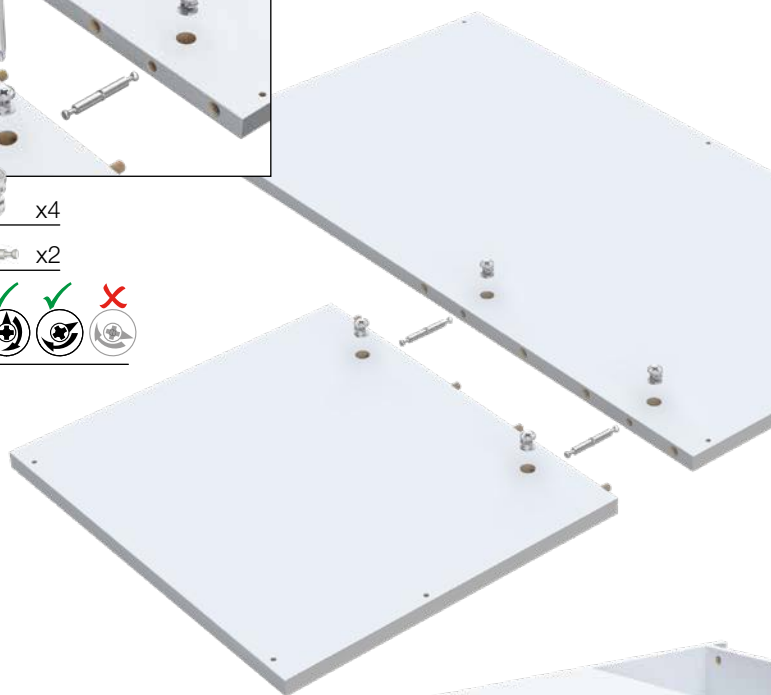
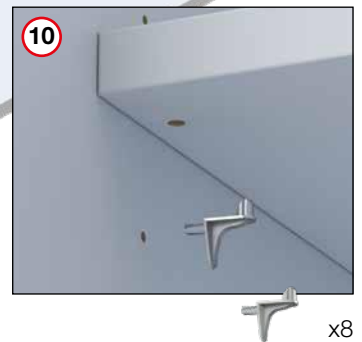
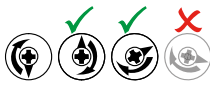


Screw the legs all the way in before turning cabinet upright.



x4

x2



Adjust legs

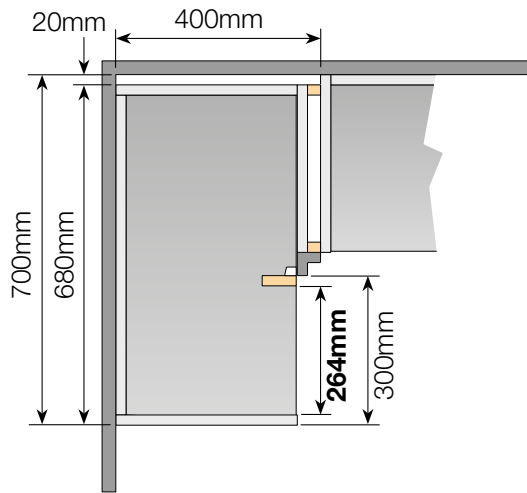
150mm



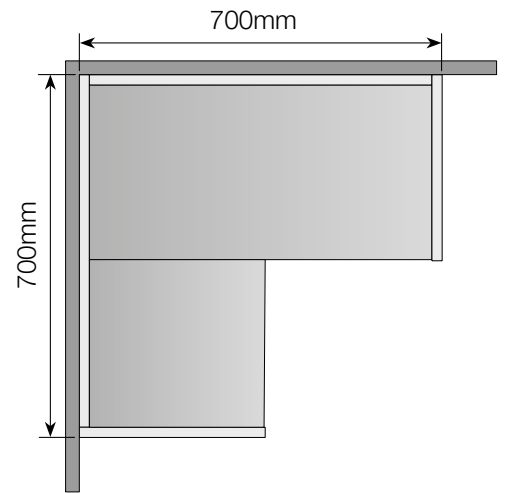
Start in a corner - Wall cabinet planning



Corner planning (LH illustrated, RH opposite)



700 Corner Wall Cabinet



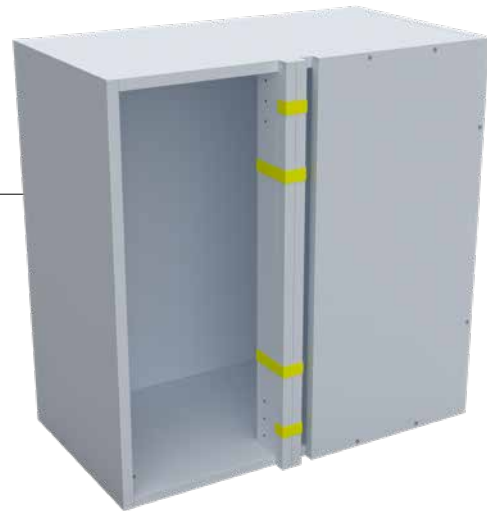
700 L Shaped Corner Wall

Start in a corner - Wall cabinet

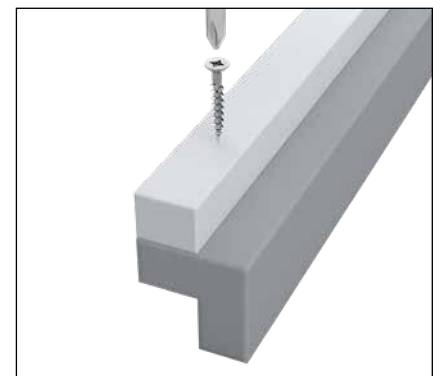


2 filler strips supplied, taped to centre upright

Flip the cabinet for LH/RH corner installations



Prepare fillet

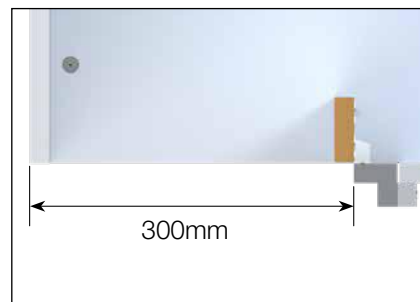



x3
4x30mm CSK

Start in a corner - Wall cabinet




Attach fillet to cabinet



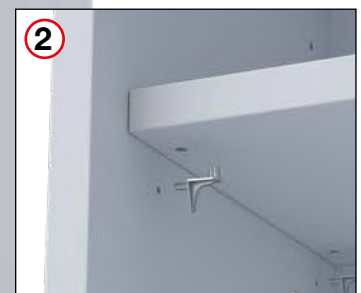
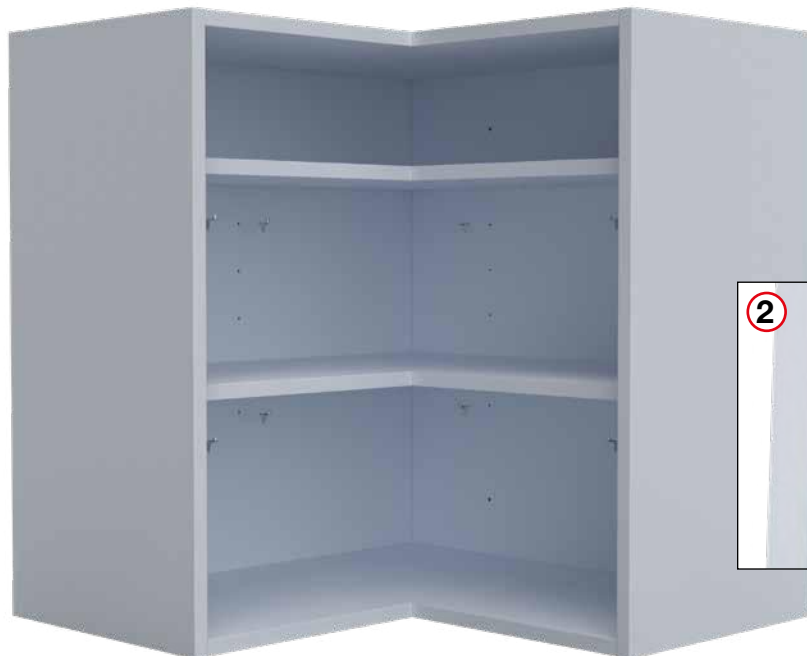
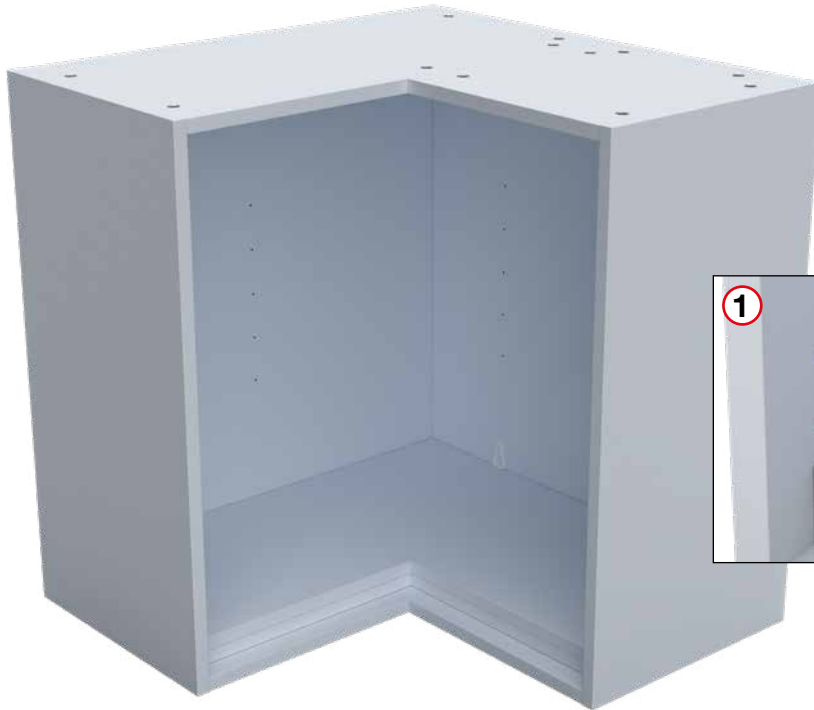
 x3
4x30mm CSK

Connect cabinets



 x3
45mm KD screw
(not supplied)

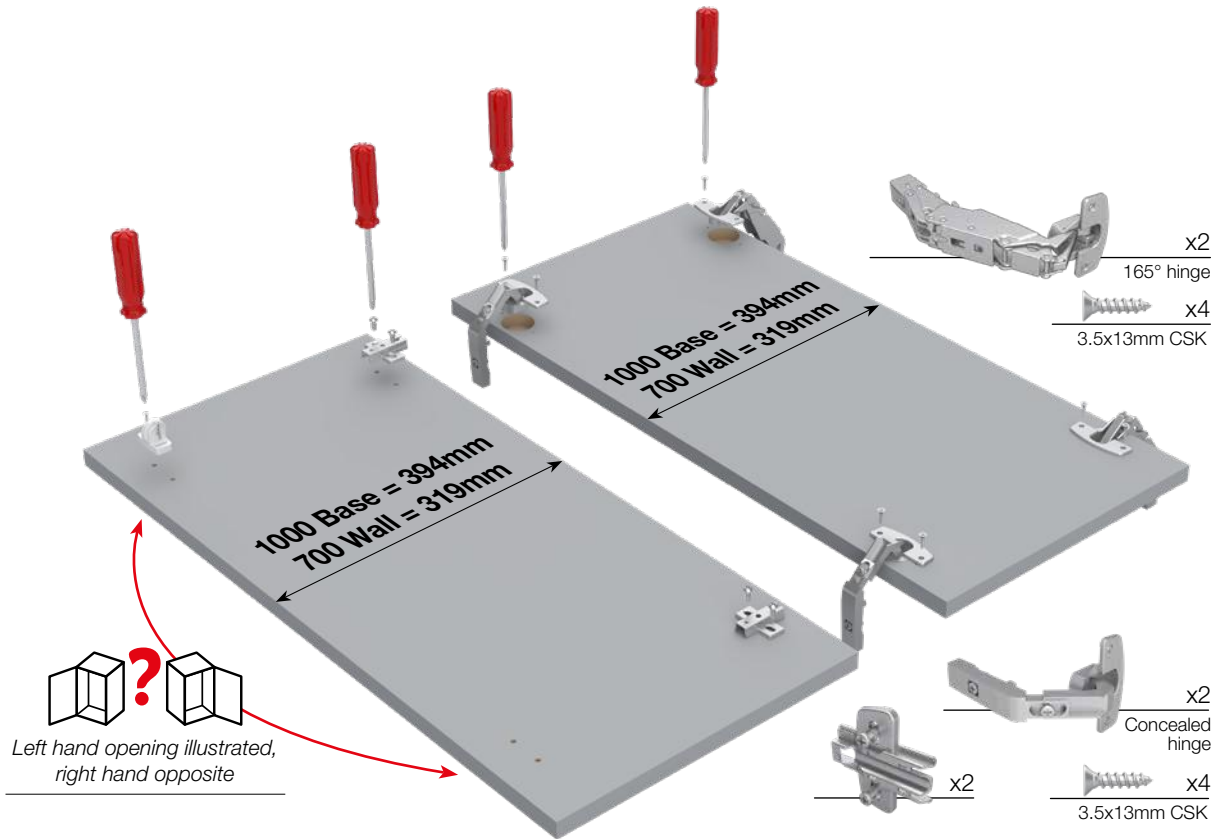
Start in a corner - 700 L Shaped corner wall cabinet



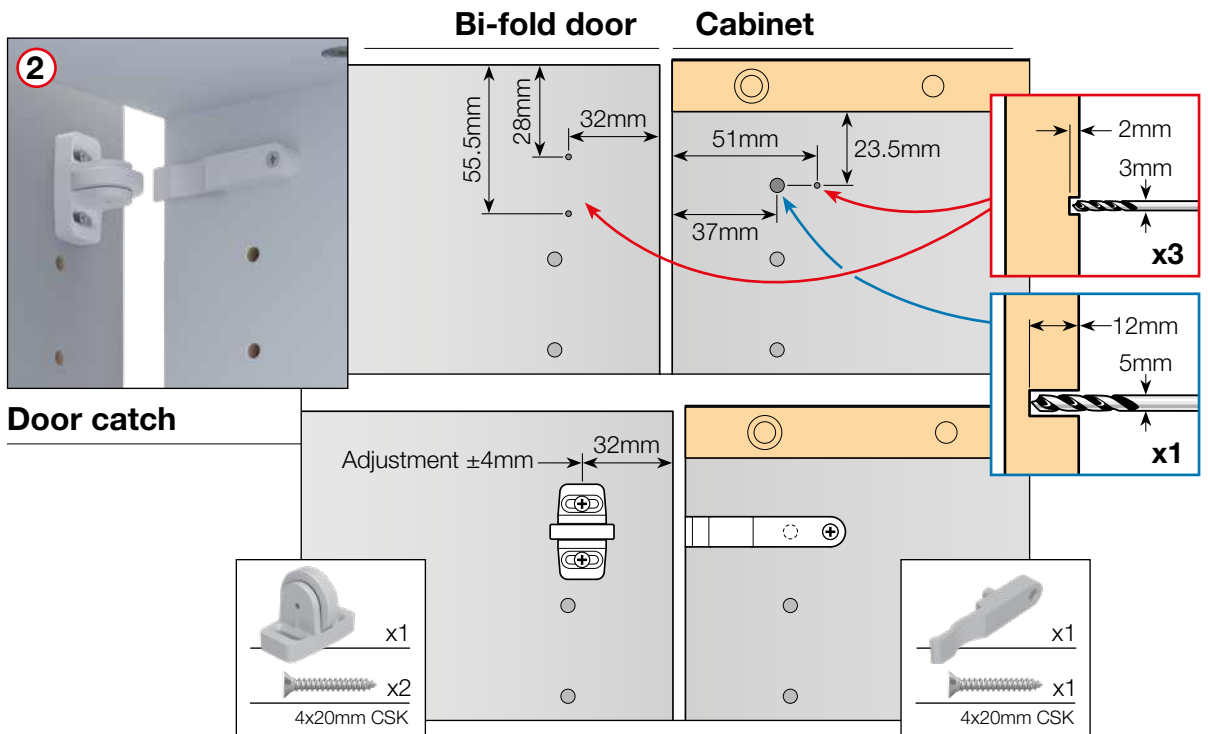
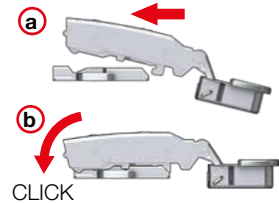
 x14

1000/700 L Shaped corner base and wall cabinet - Bi-fold doors

1000 L shaped illustrated, 700 L shaped similar

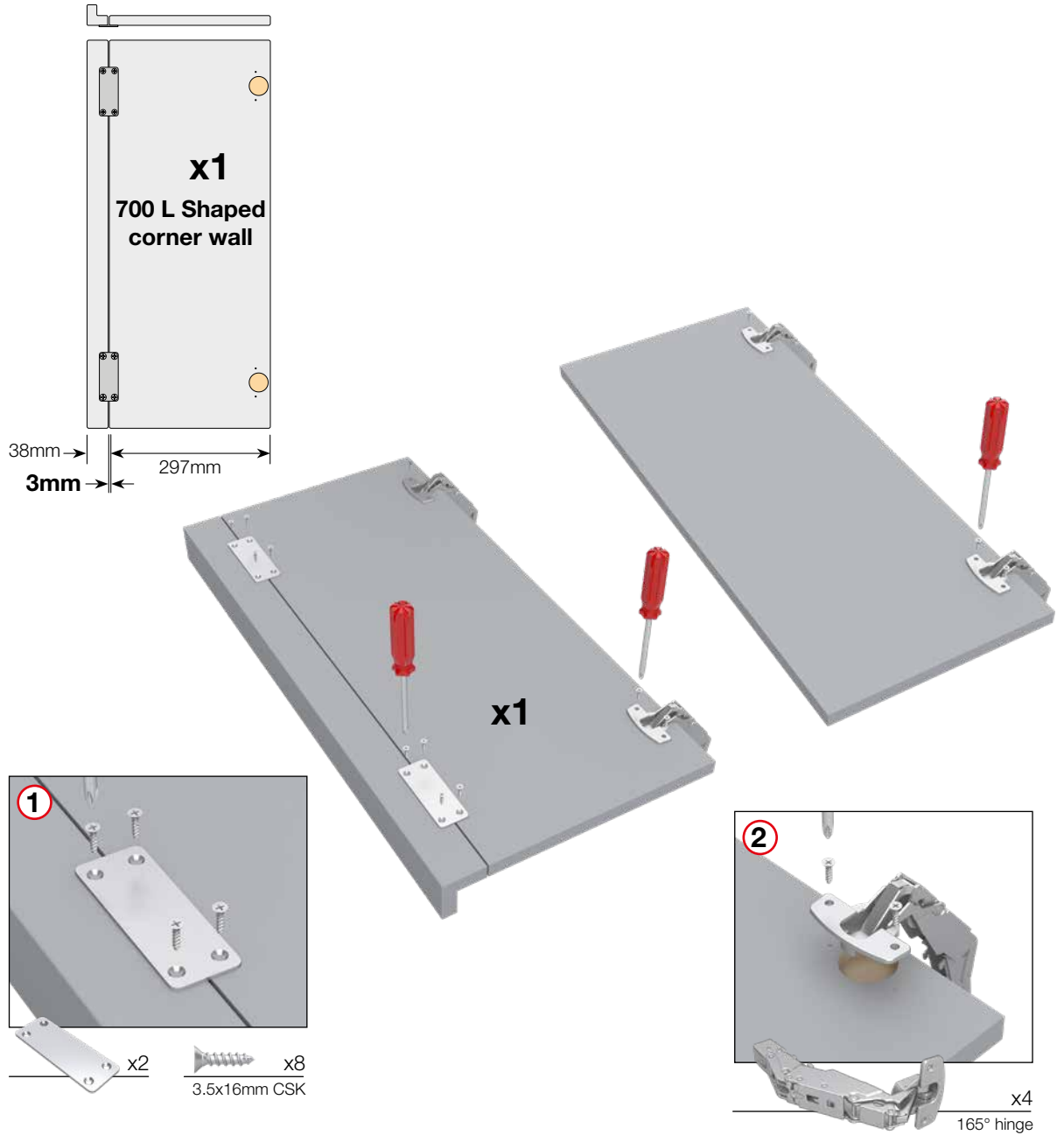


Bi-fold door to cabinet hinge plates

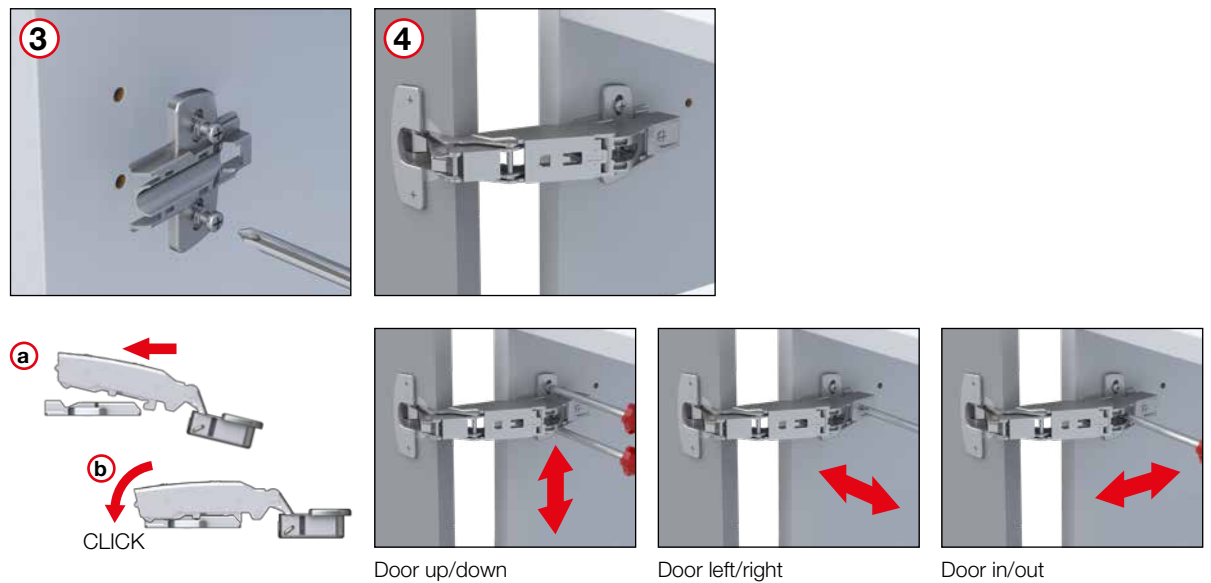


700 L Shaped corner wall cabinet - Doors + fillet

Attach fillet and hinges



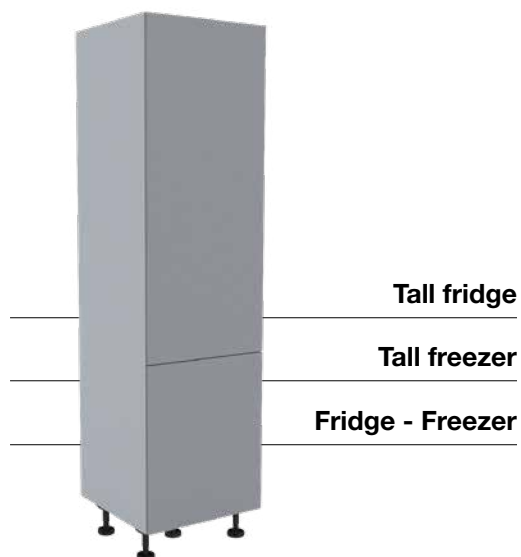
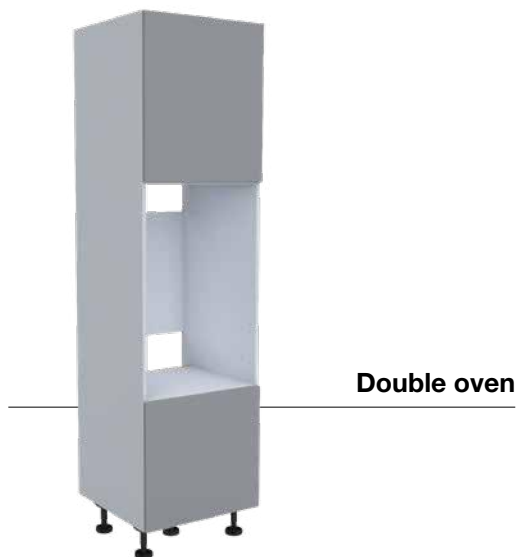
Fit hinge plate and door to cabinet and adjust



Appliance tower

Appliance tower options available using the generic cabinet supplied

See following pages for detailed instructions.

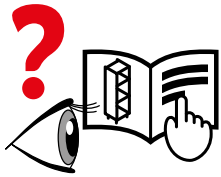


Appliance tower - Shelf configurations



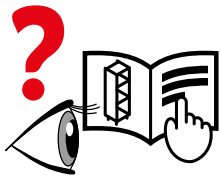
Single oven

Mid shelves - reposition,
(see following section - Adapt tower).
Add support brackets x4.
Fix hinge plates,
(RH door opening shown).



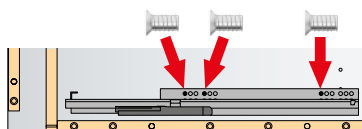
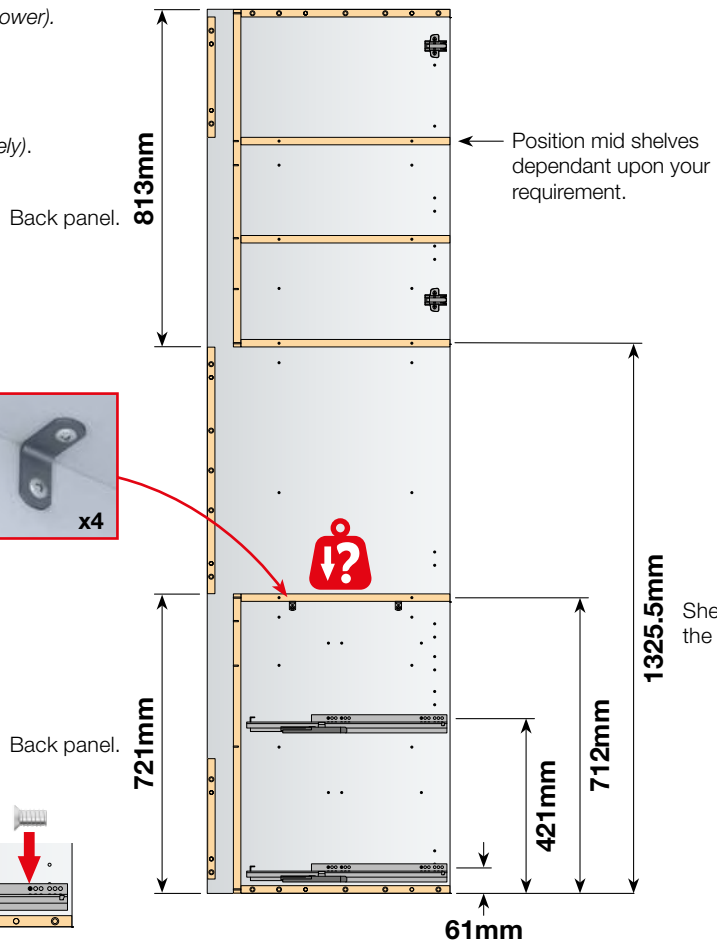
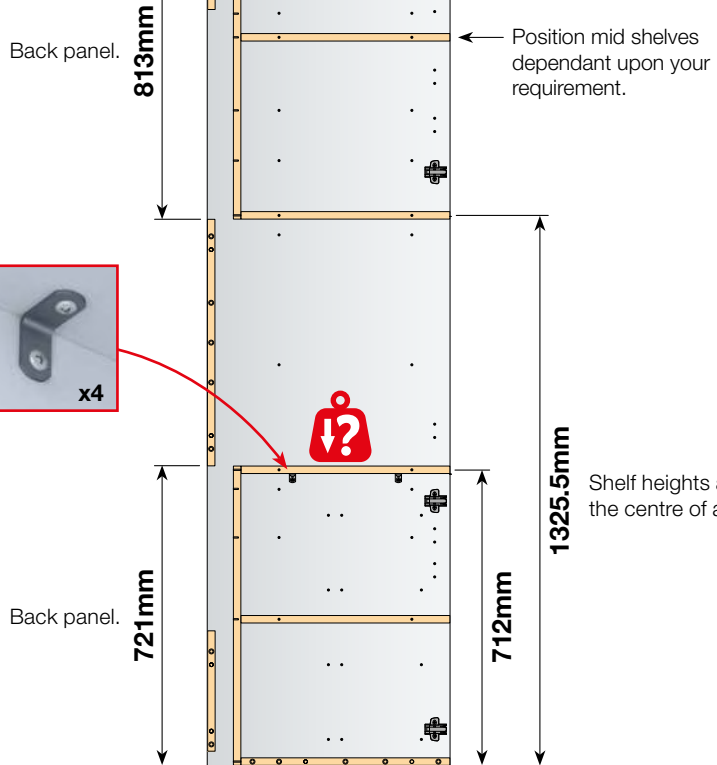
Single oven + 2 drawers

Mid shelves - reposition,
(see following section - Adapt tower).
Add support brackets x4.
Fix hinge plates,
(RH door opening shown).
Add drawer runners x4,
(Drawer pack supplied separately).



Microwave & Warming drawer

Mid shelves - reposition,
(see following section - Adapt tower).
Add support brackets x4.
Fix hinge plates,
(RH door opening shown).

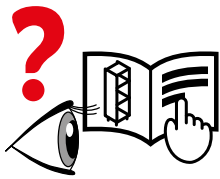
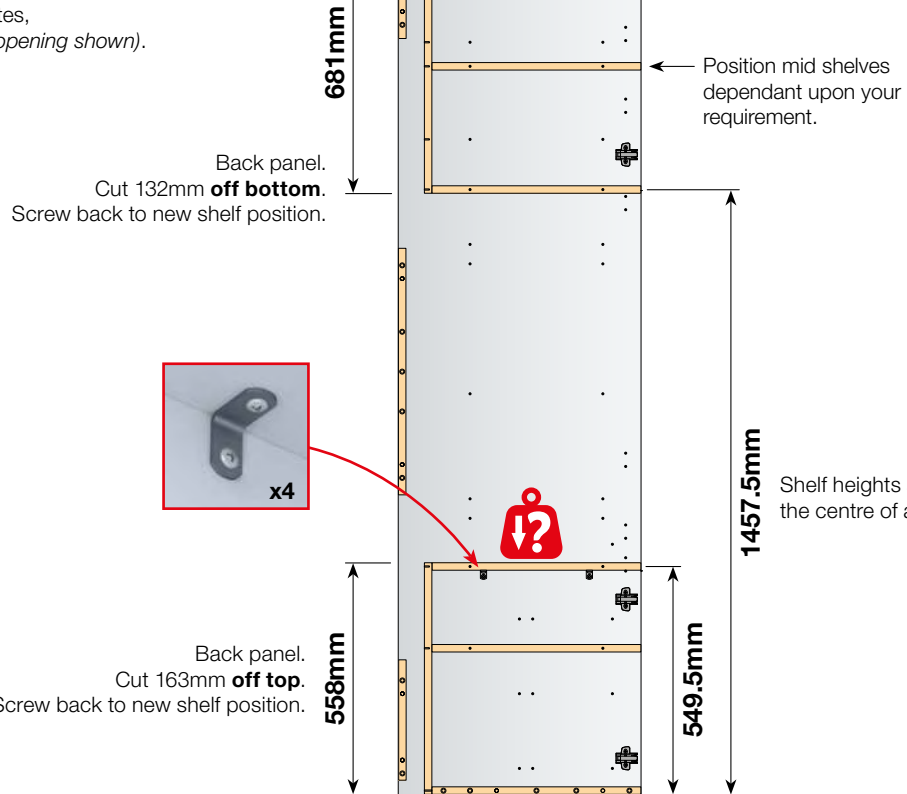


Appliance tower - Shelf configurations



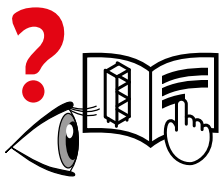
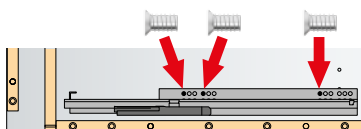
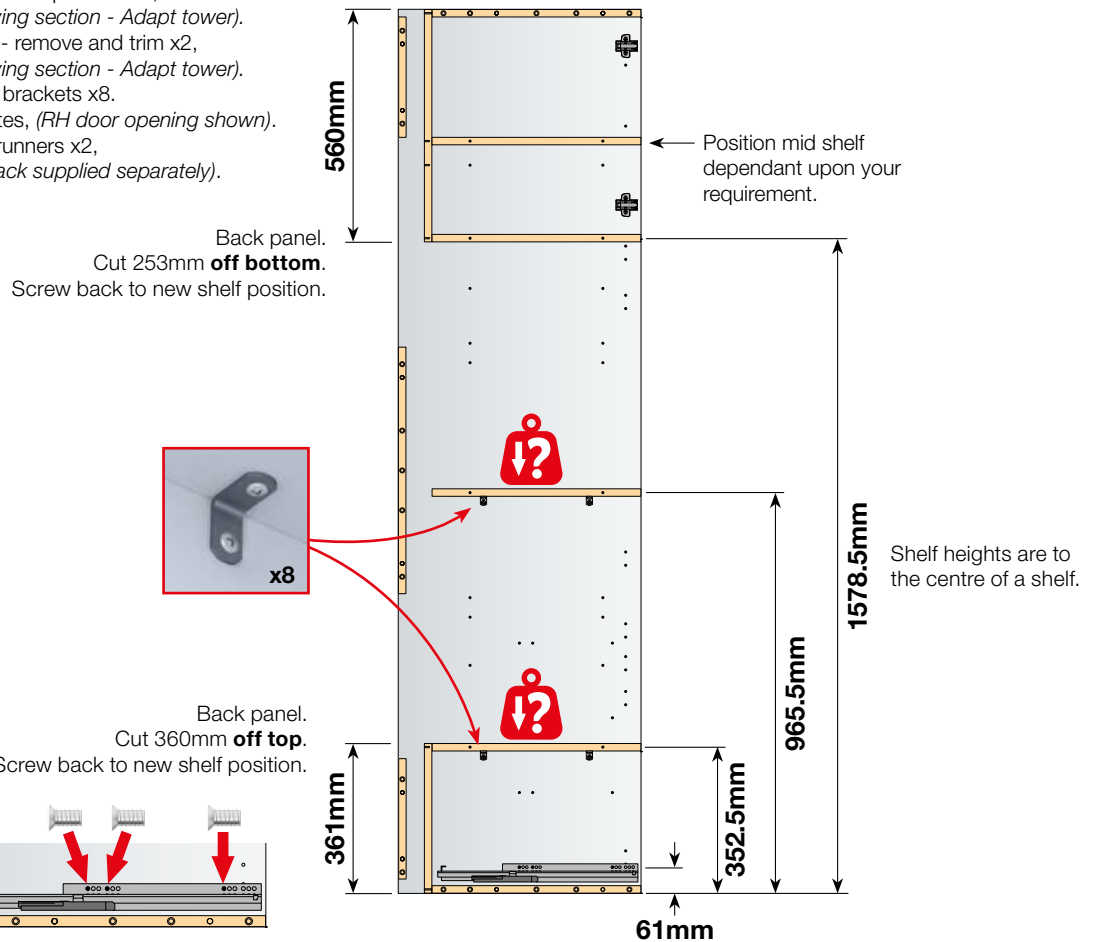
Double Oven

Shelf positions - reposition x3,
 (see following section - Adapt tower).
 Back panels - remove and trim x2,
 (see following section - Adapt tower).
 Add support brackets x4.
 Fix hinge plates,
 (RH door opening shown).



Single oven x2 + drawer

Shelf positions - reposition x3,
 (see following section - Adapt tower).
 Back panels - remove and trim x2,
 (see following section - Adapt tower).
 Add support brackets x8.
 Fix hinge plates, (RH door opening shown).
 Add drawer runners x2,
 (Drawer pack supplied separately).



Appliance tower - Shelf configurations



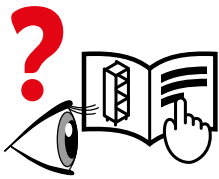
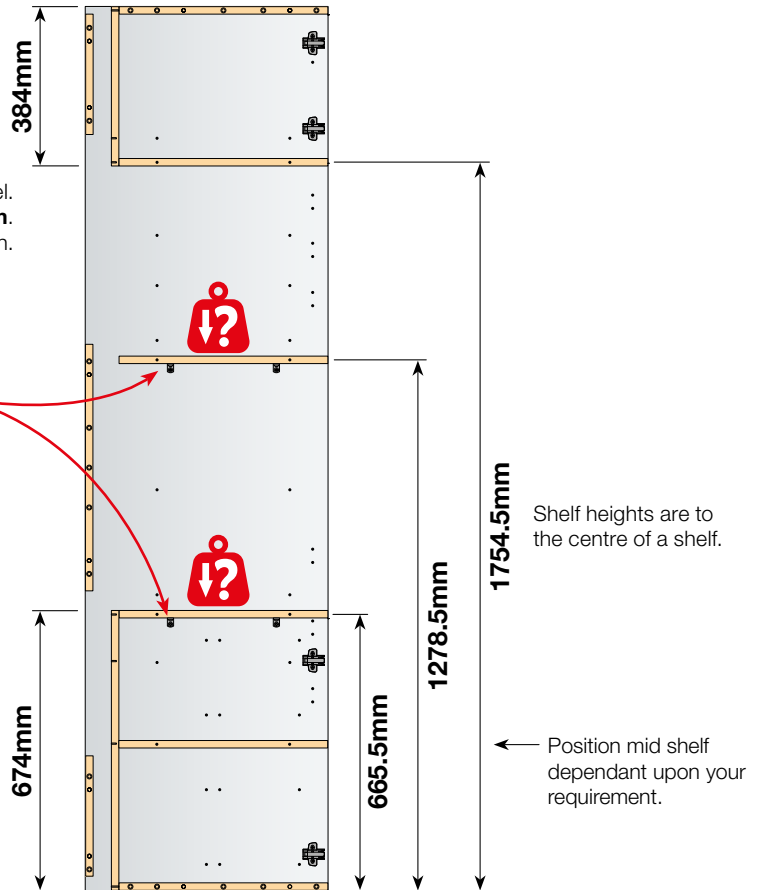
Single oven / Microwave

Shelf positions - reposition x3,
 (see following section - Adapt tower).
 Back panels - remove and trim x2,
 (see following section - Adapt tower).
 Add support brackets x8.
 Fix hinge plates, (RH door opening shown).

Back panel.
 Cut 429mm **off bottom**.
 Screw back to new shelf position.



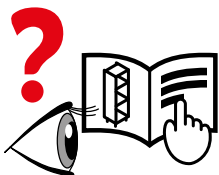
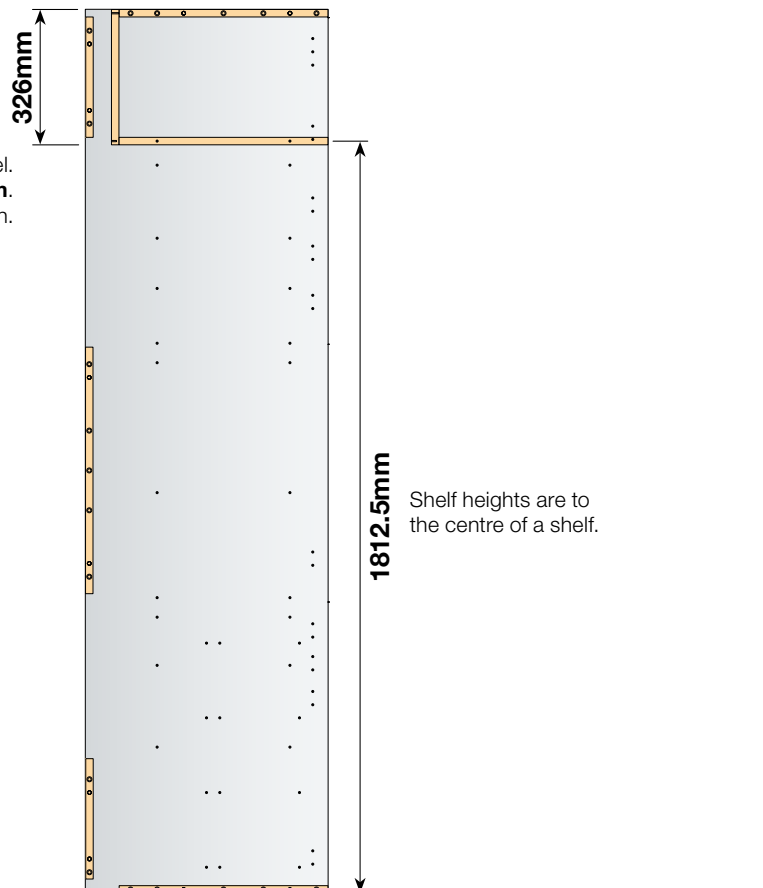
Back panel.
 Cut 47mm **off top**.
 Screw back to new shelf position.



Tall fridge / Tall freezer / Fridge - Freezer

Shelf positions - remove x2, reposition x1,
 (see following section - Adapt tower).
 Back panels - remove x1 and trim x1,
 (see following section - Adapt tower).

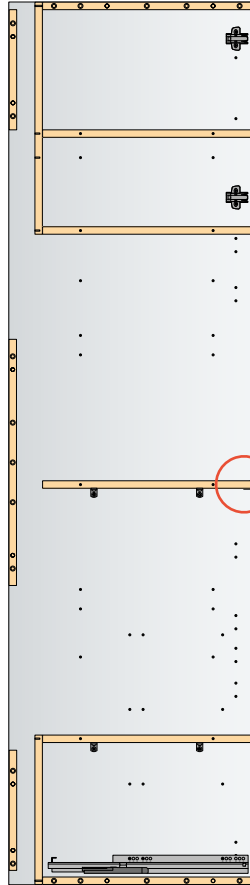
Back panel.
 Cut 487mm **off bottom**.
 Screw back to new shelf position.



Appliance tower - Filler strip



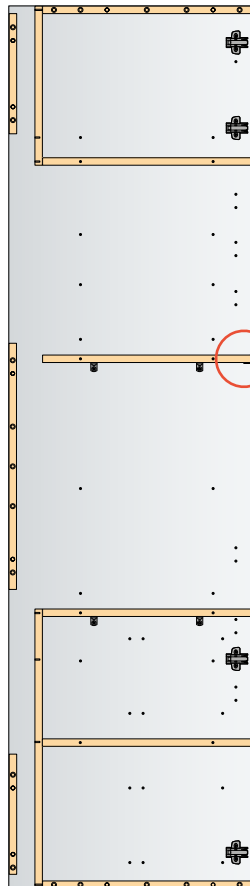
Single oven x2



Fixing screws not included



Single oven / Microwave

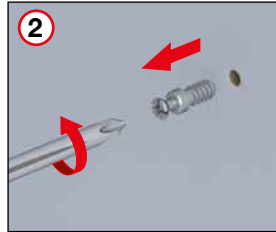
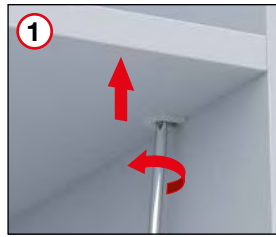


Fixing screws not included

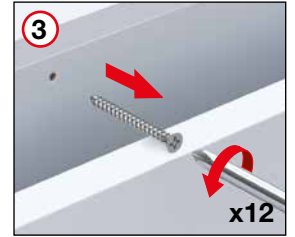
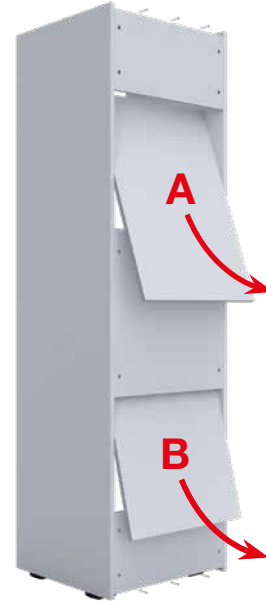
Appliance tower - Adapt tower to suit the options available



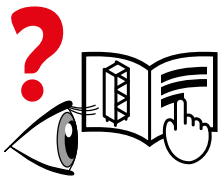
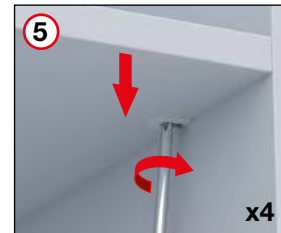
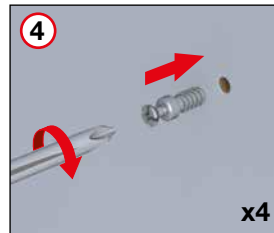
Shelf removal



Back panel removal

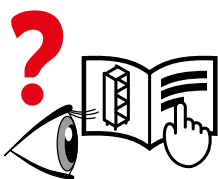
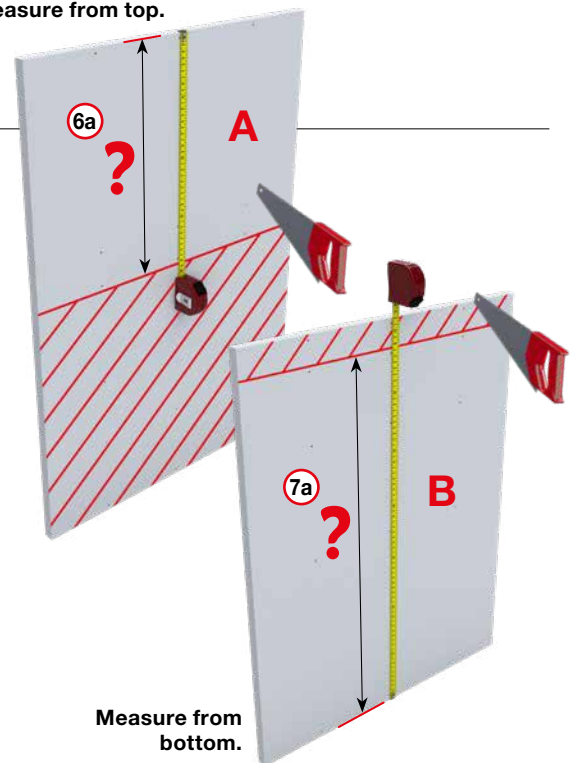
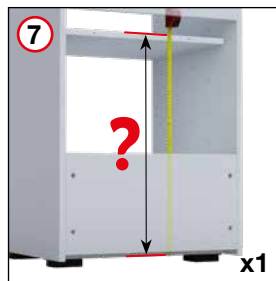
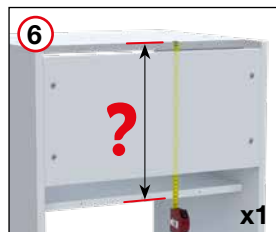


Reposition shelves



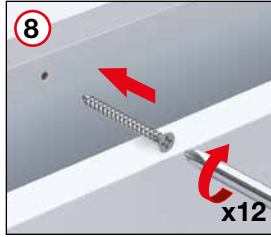
Measure from top.

Measure new shelf positions and trim back panels

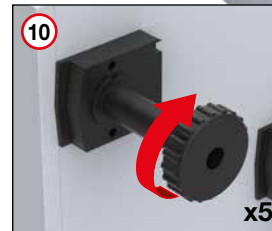
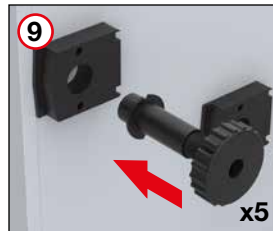


Appliance tower - Adapt tower to suit the options available

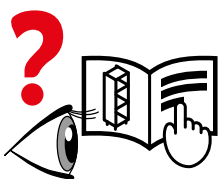
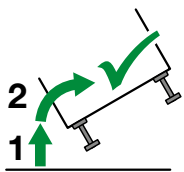
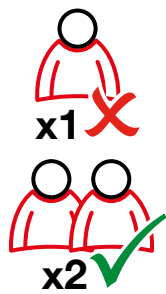
Replace back panels and secure to new shelf position



Attach legs

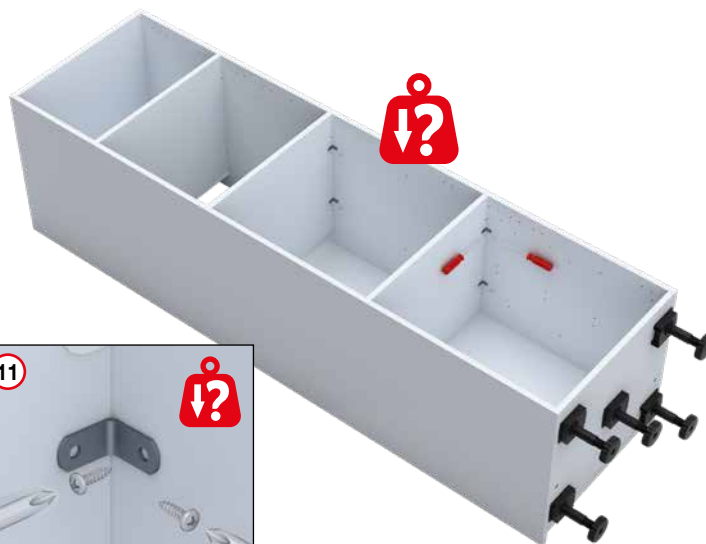


Screw the legs all the way in before turning cabinet upright.



Add support brackets

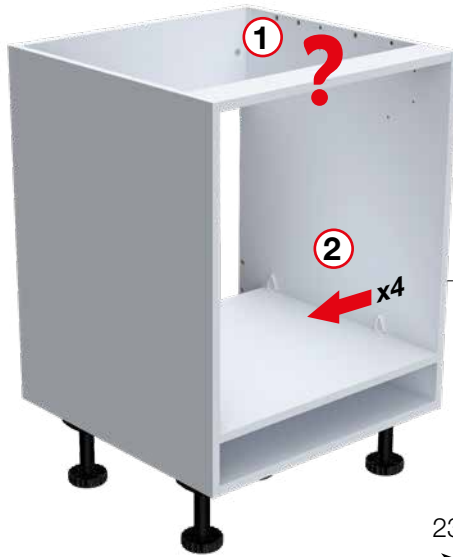
Adjust legs and fix hinge plates (RH door opening shown)



x4/8 x8/16
3.5x12mm PH

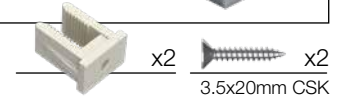
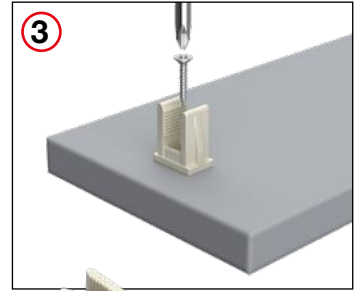


600 Oven base cabinet - Option 1

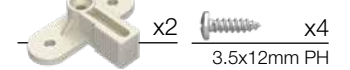
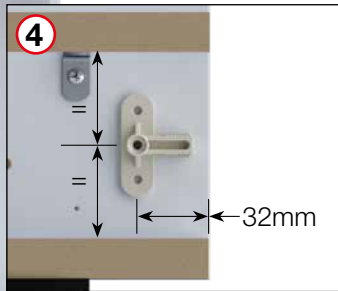


Remove when applicable depending on oven type

Remove shelf retainers



597mm x 115mm filler panel



600 Oven base cabinet - Option 2



Remove when applicable depending on oven type

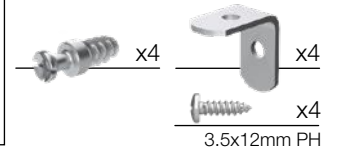
Remove shelf retainers



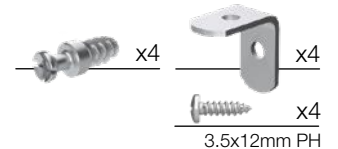
Remove shelf
Keep in a safe place



Remove
Keep in a safe place



Replace in lower position

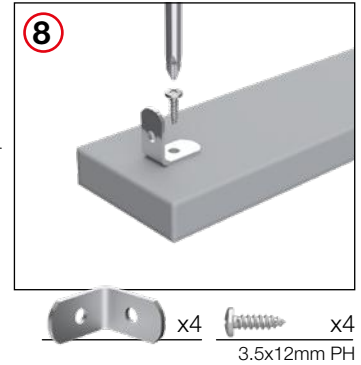
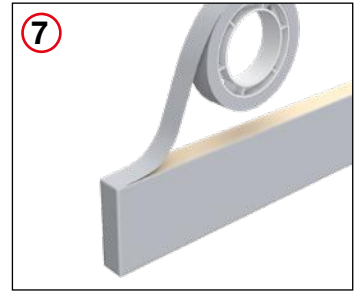
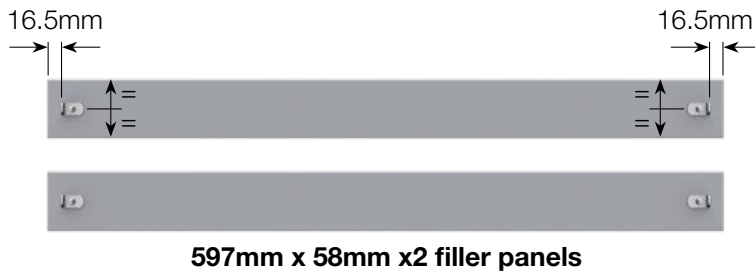
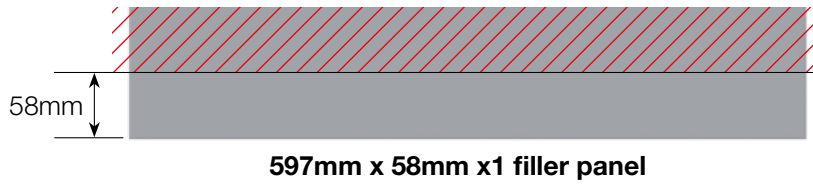
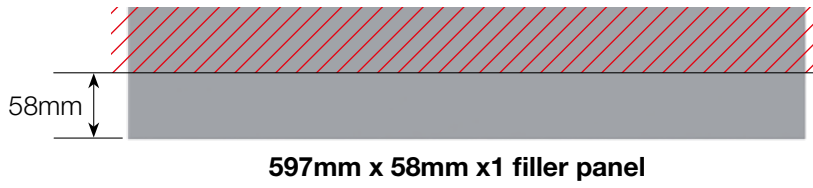


600 Oven base cabinet - Option 2

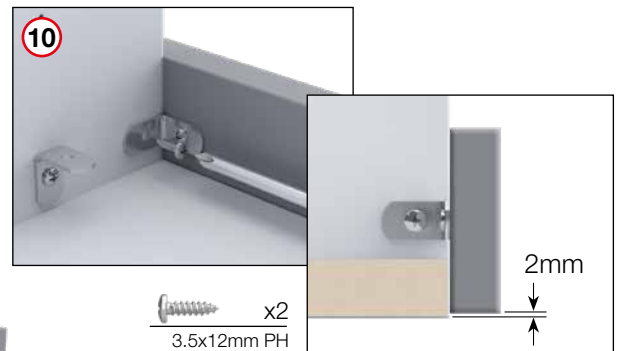
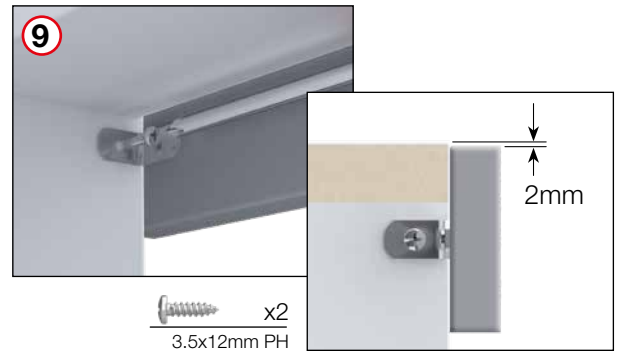


Prepare filler panels using 2, 115mm filler panels

6 From 2, 115mm filler panels trim 2, 58mm filler panels, edge all raw surfaces.

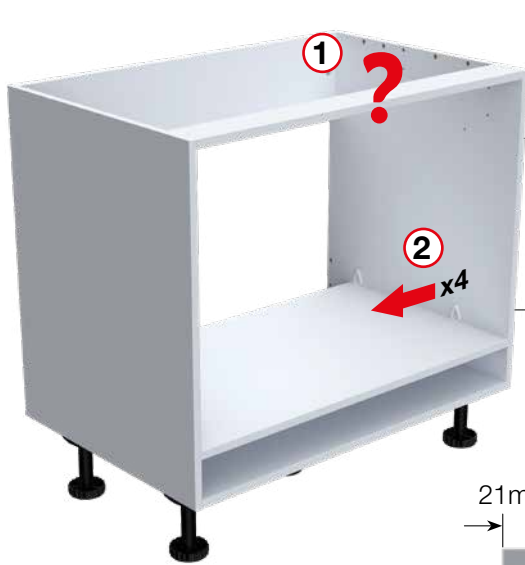


Fit filler panels



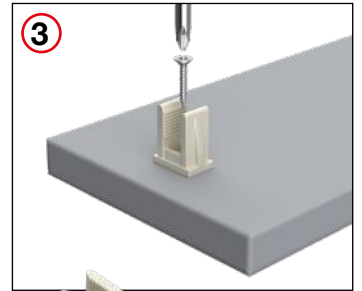
Replace shelf


900 Oven base cabinet - Option 1



Remove when applicable depending on oven type

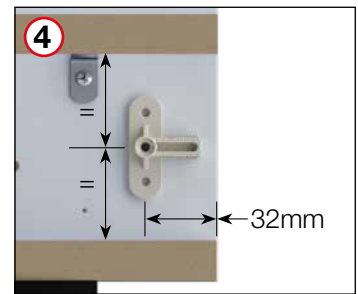
Remove shelf retainers




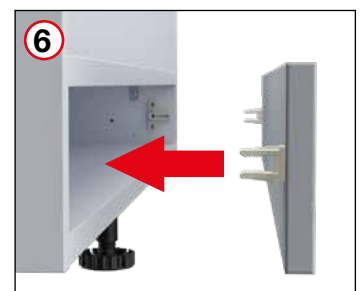
x2  x2
3.5x20mm CSK



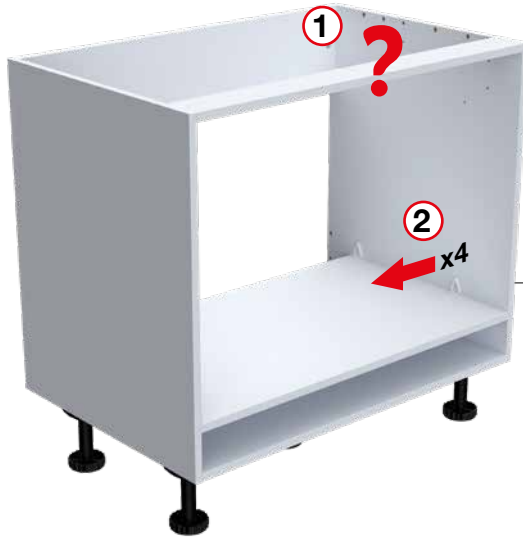
897mm x 115mm filler panel



x2  x4
3.5x12mm PH



900 Oven base cabinet - Option 2

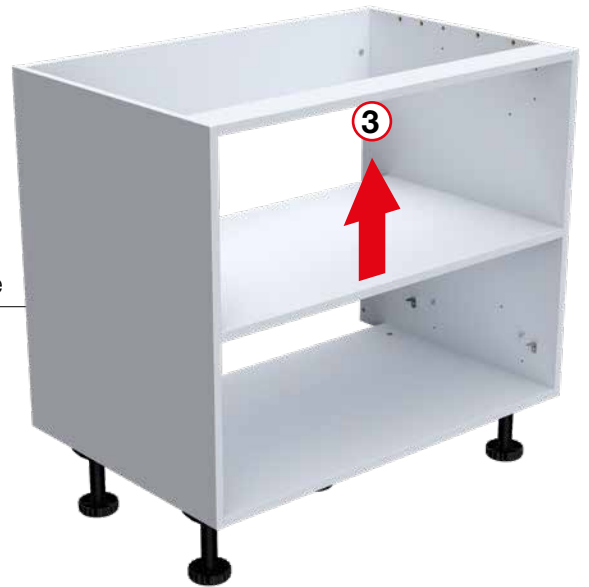


Remove when applicable depending on oven type

Remove shelf retainers



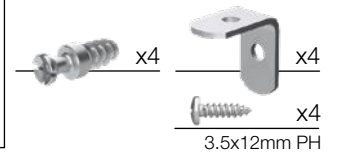
2
x4



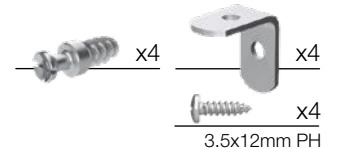
Remove shelf
Keep in a safe place



Remove
Keep in a safe place



Replace in lower position



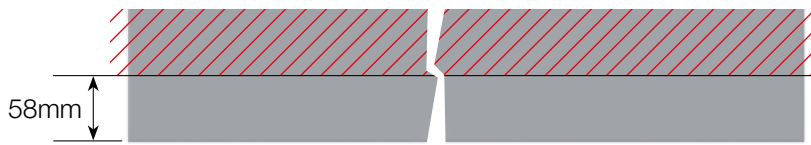
900 Oven base cabinet - Option 2

Prepare and fit filler panels



6

From 2, 115mm filler panels trim 2, 58mm filler panels, edge all raw surfaces.

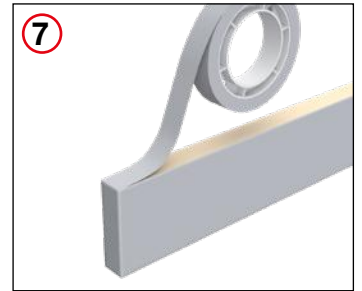


897mm x 58mm x2 filler panels

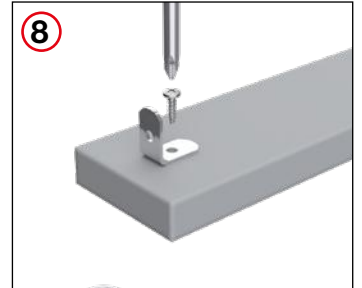



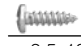
897mm x 58mm x2 filler panels

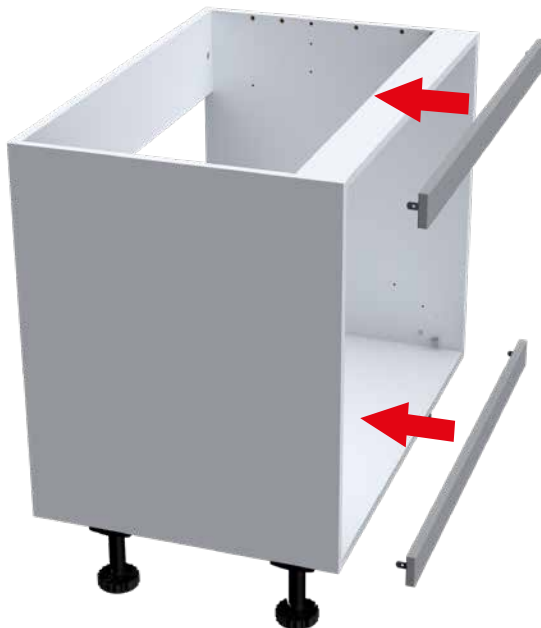
7



8




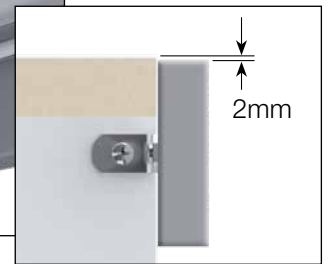
x4  x4 
3.5x12mm PH



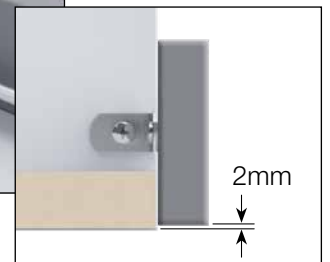
9



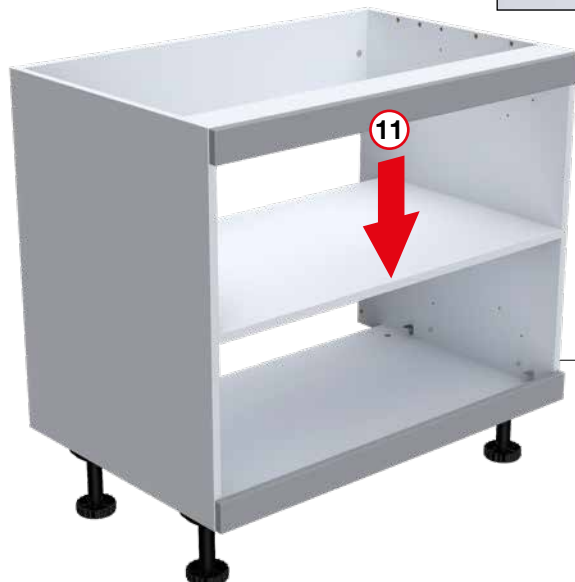
x4 
3.5x12mm PH



10



11



Replace shelf

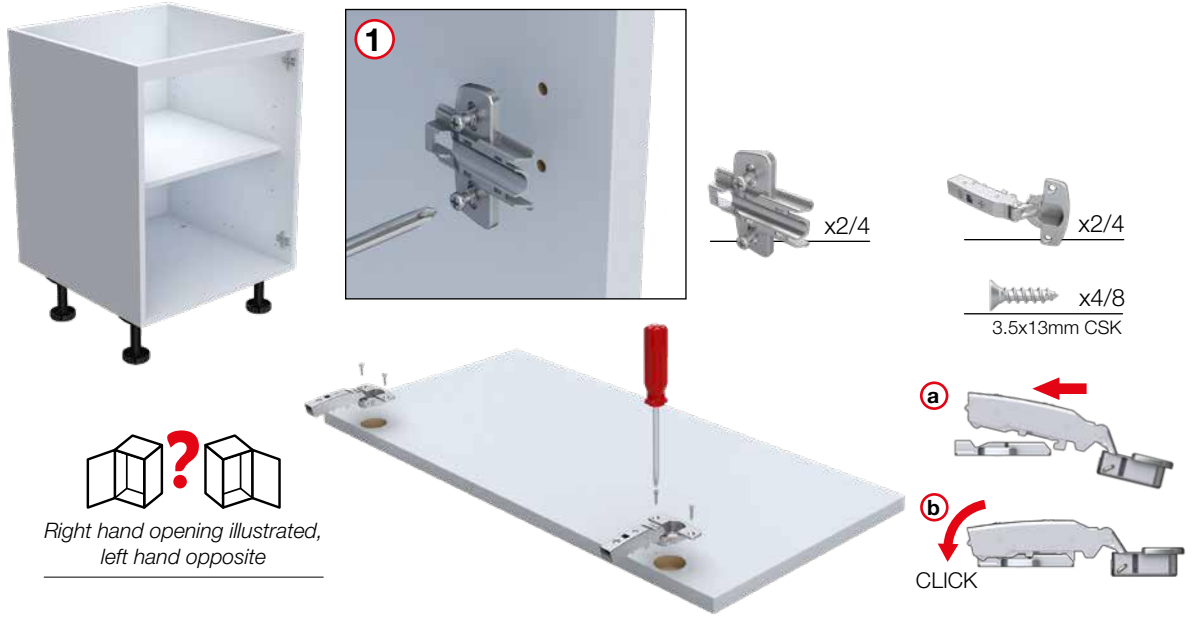
Sink base cabinet - Door / Deep drawer



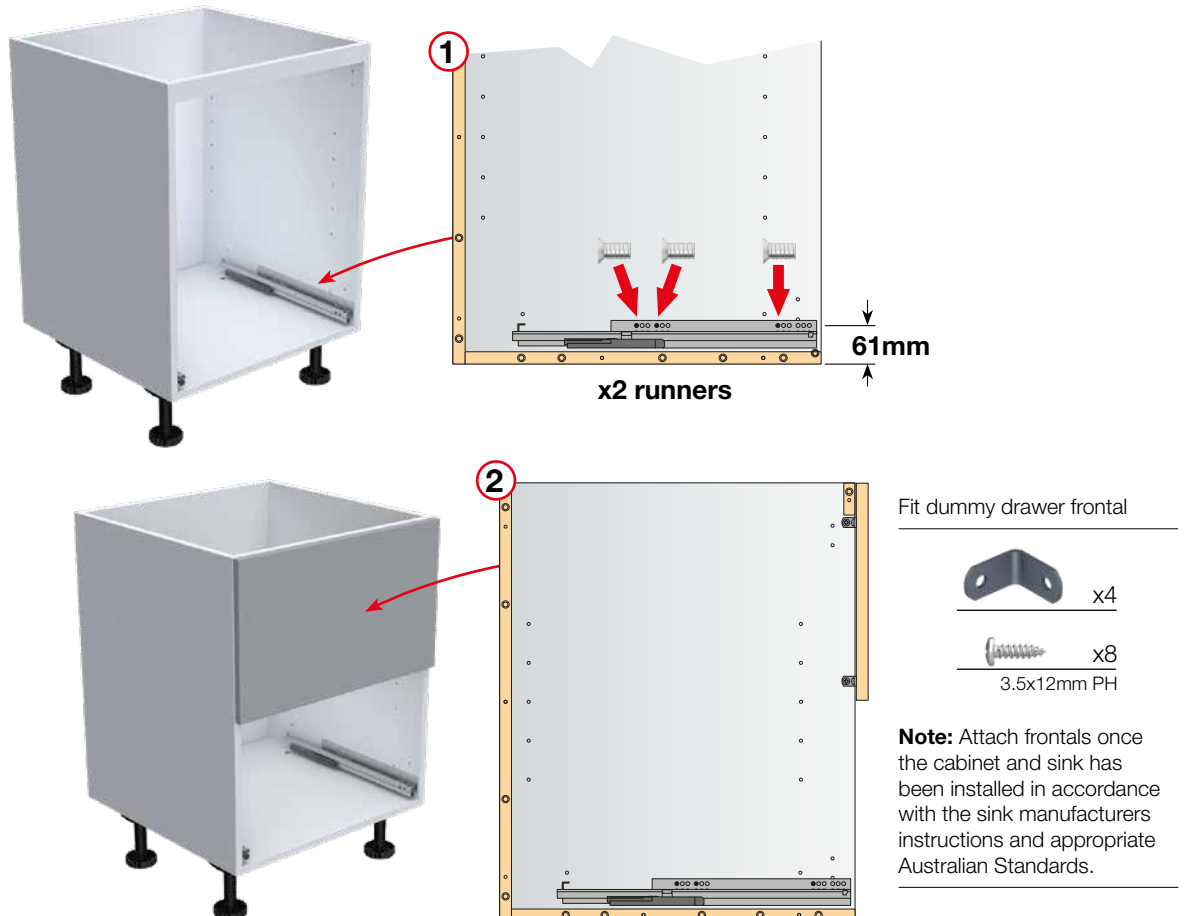
600 / 800 / 900 / 1000 door and drawer options



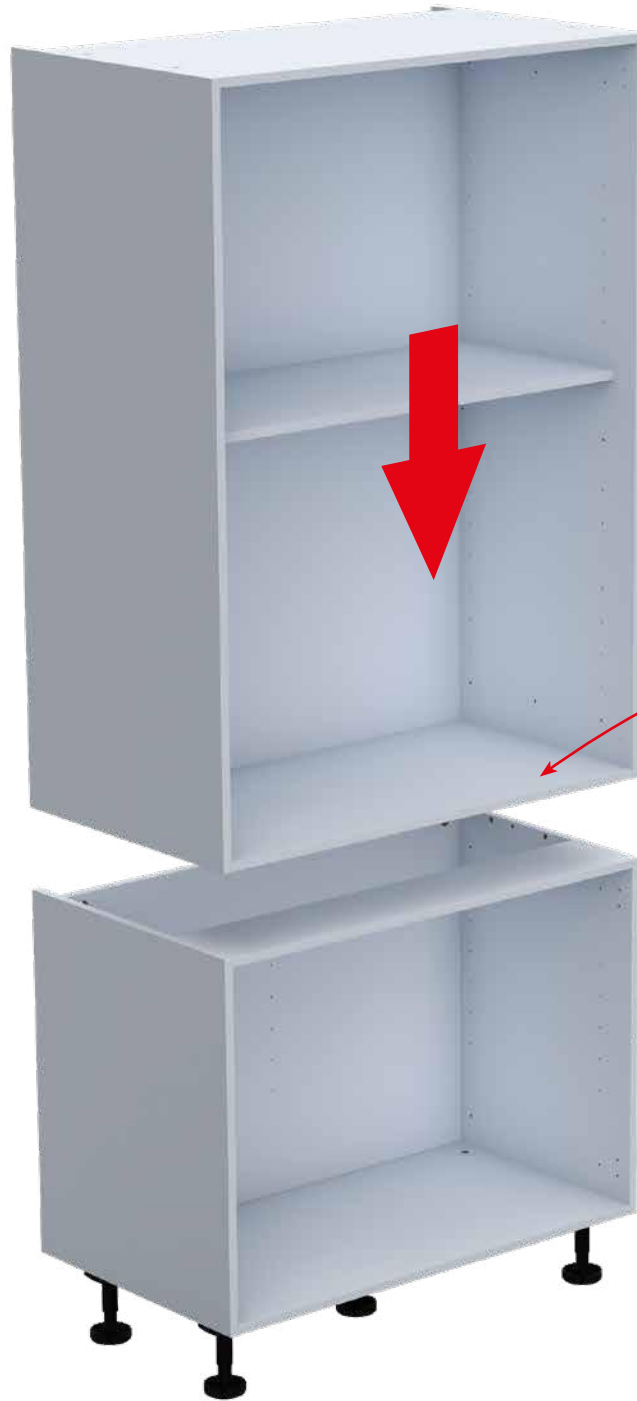
Door option (600 illustrated, 800, 900 and 1000 similar)



Deep drawer option (600 illustrated, 800, 900 and 1000 similar)

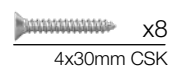
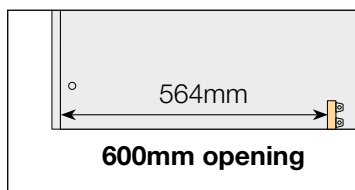
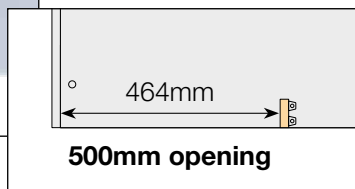
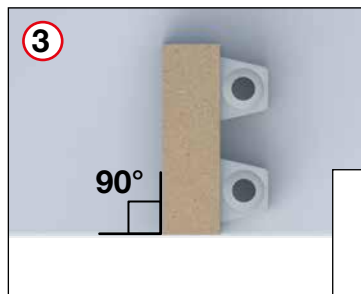


800/1000 Pantry



 x4

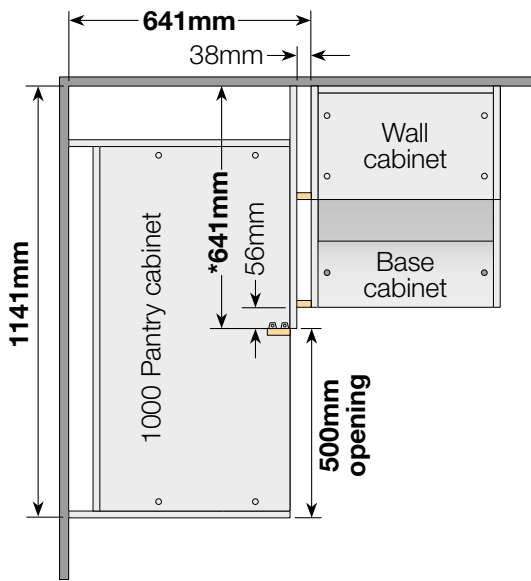
1000/1200 Corner pantry - Preparation



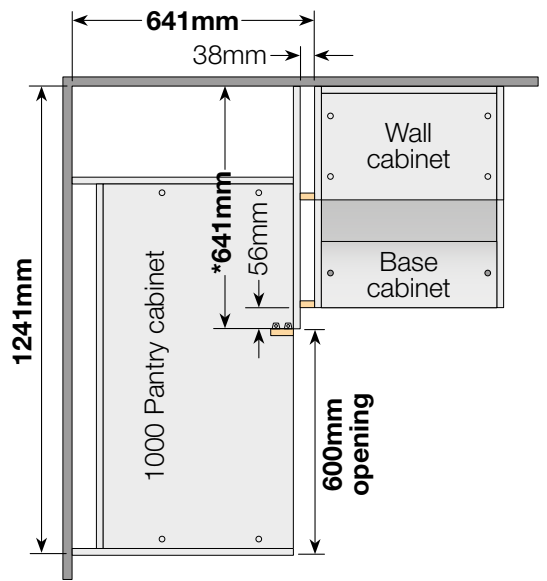
1000/1200 Corner pantry with return base and wall cabinet



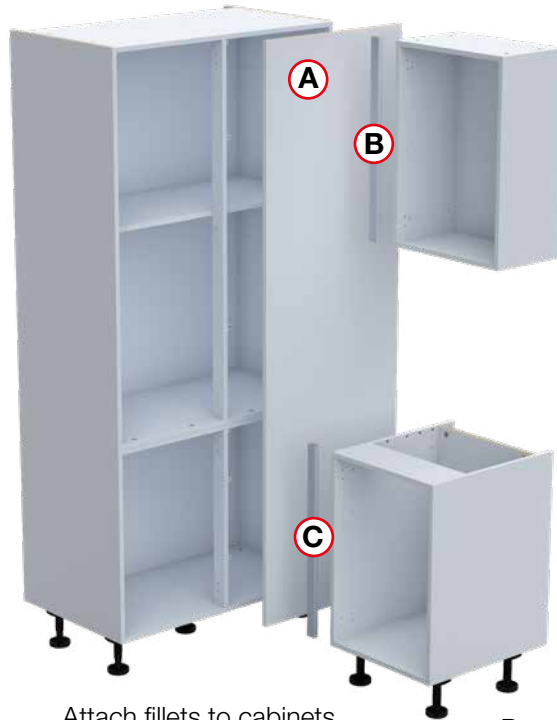
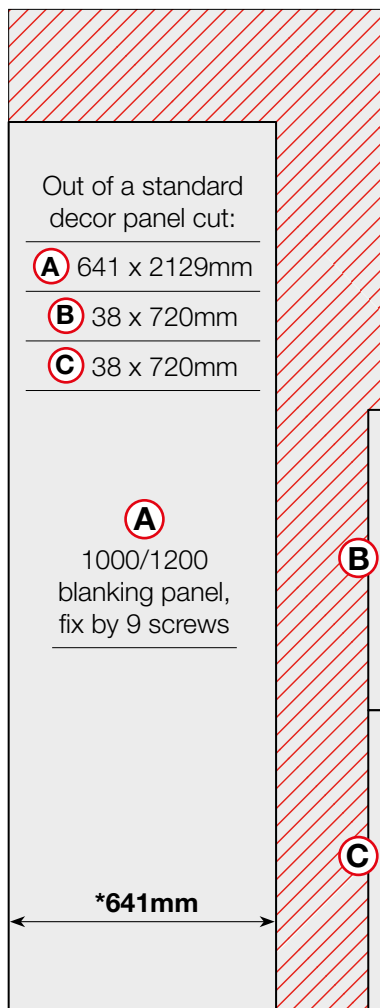
1000 Corner planning (LH illustrated, RH opposite)



1200 Corner planning (LH illustrated, RH opposite)

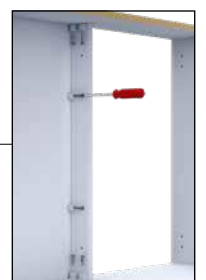
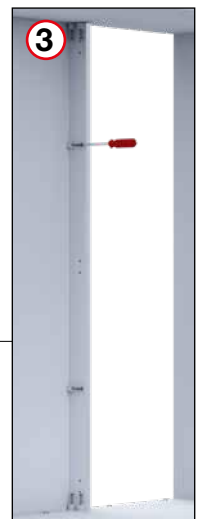
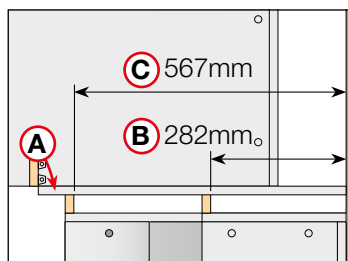


1



Attach fillets to cabinets

Pantry



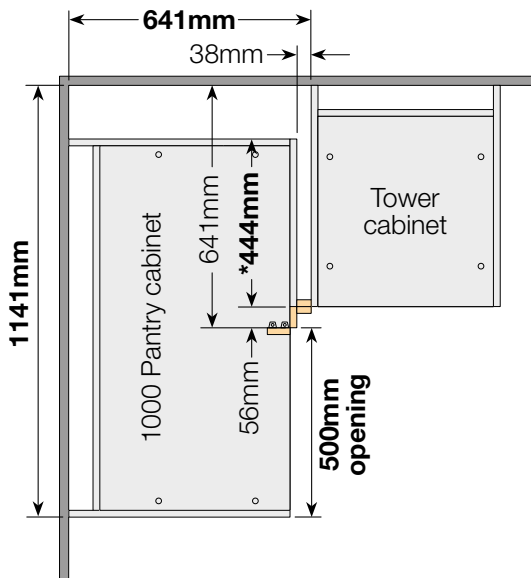
Base

x4
4x30mm CSK

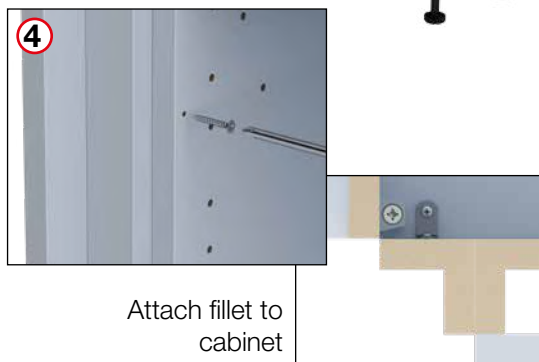
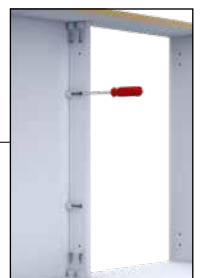
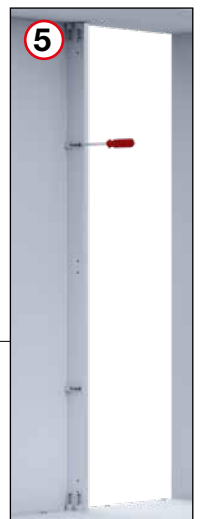
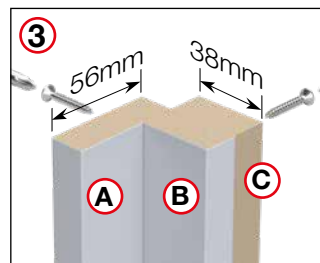
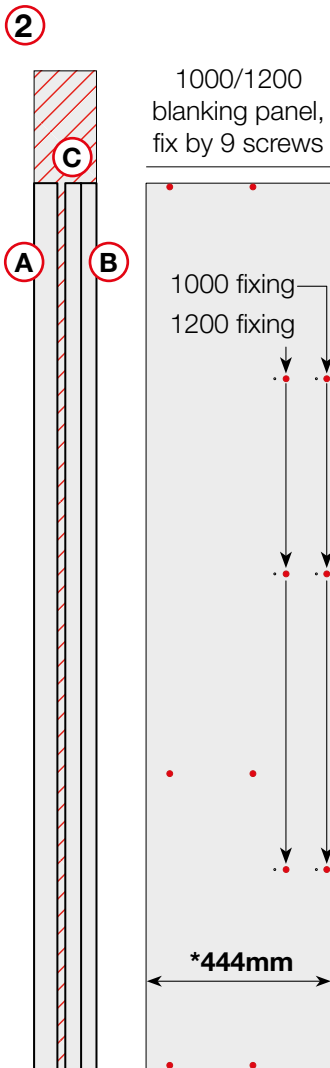
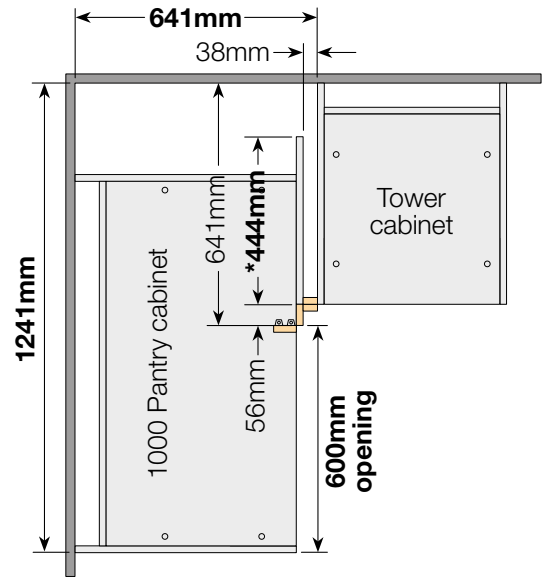
1000/1200 Corner pantry with return tower cabinet



1000 Corner planning (LH illustrated, RH opposite)




1200 Corner planning (LH illustrated, RH opposite)



Out of a standard kick-board cut:

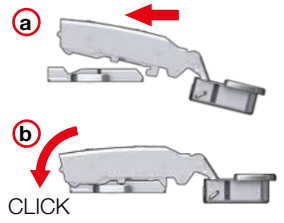
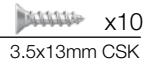
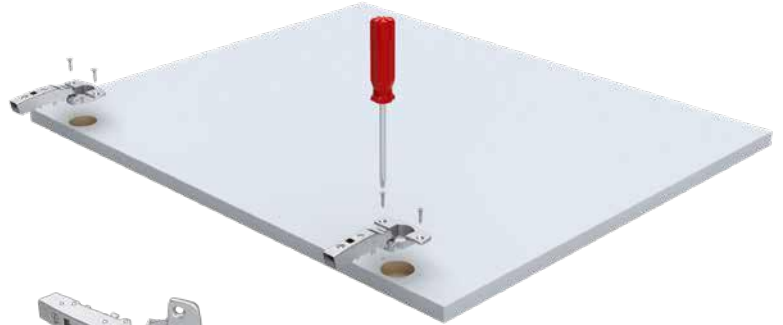
- A** 56 x 2129mm
- B** 38 x 2129mm
- C** 38 x 2129mm

Attach fillet to cabinet

 x4
4x30mm CSK

1000/1200 Corner pantry - Attach doors

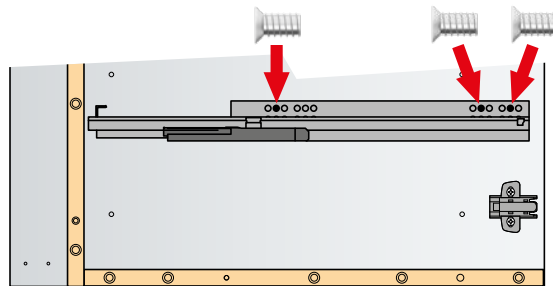
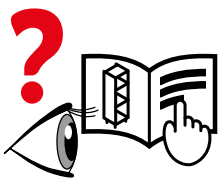
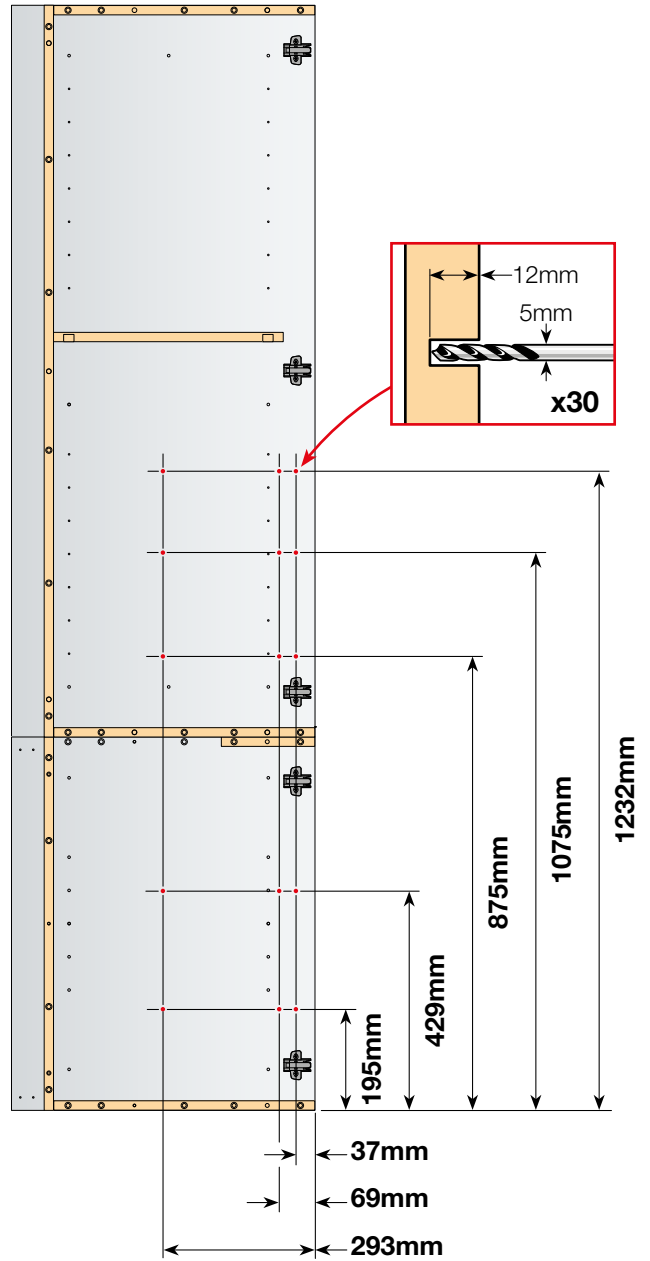
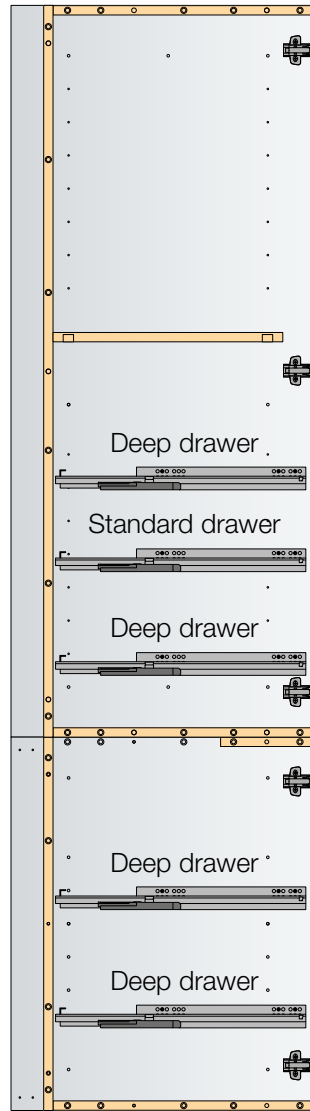
Fit 110° hinges



800/1000 Pantry - Internal drawer option (4+1)

5 Drawer runner positions

Drill runner positions x30,
 (5 x 12mm deep).
 Add drawer runners x10,
 (Drawer pack supplied separately).
 Fix hinge plates,
 Use 165° hinges for this installation.

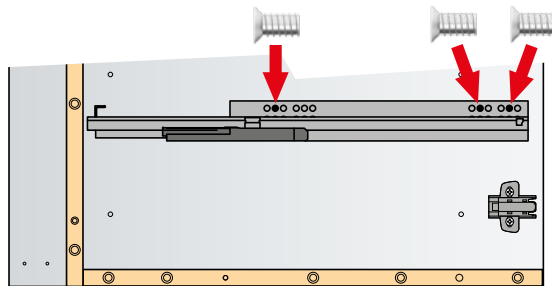
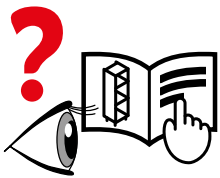
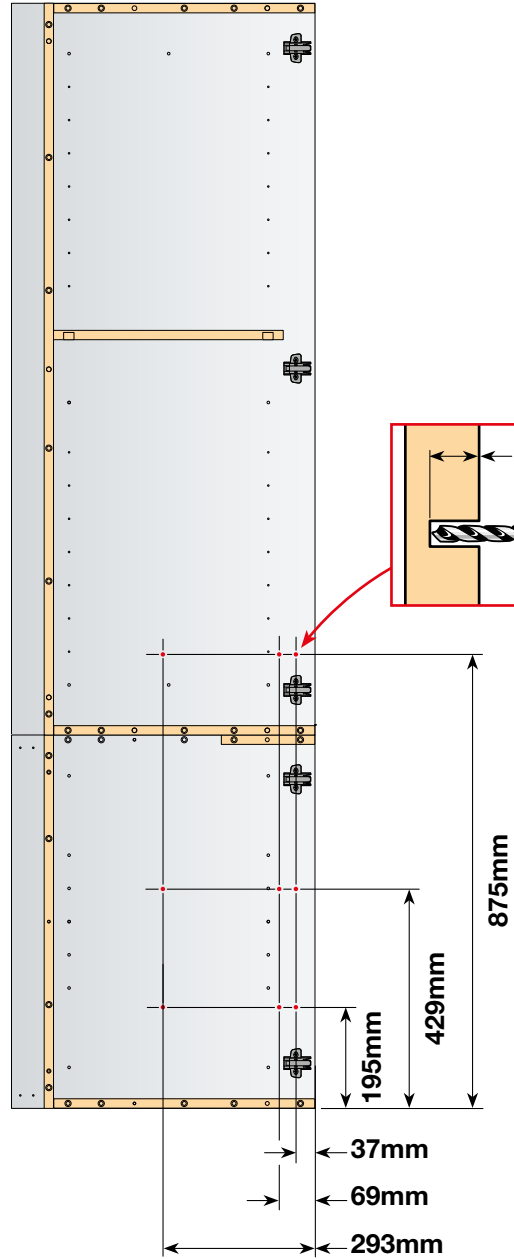
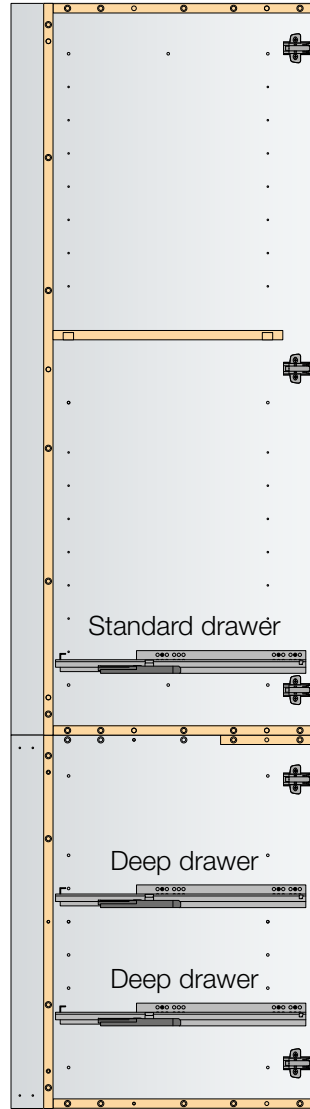


Runner screw fitting.

800/1000 Pantry - Internal drawer option (2+1)

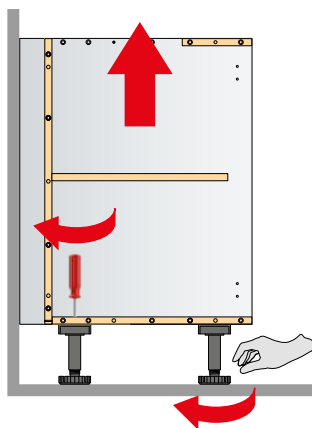
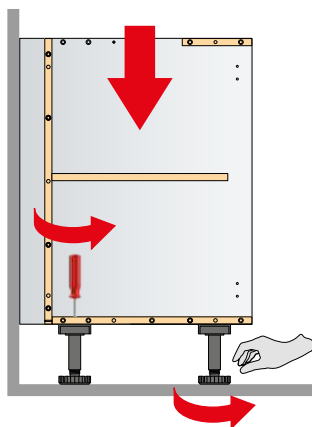
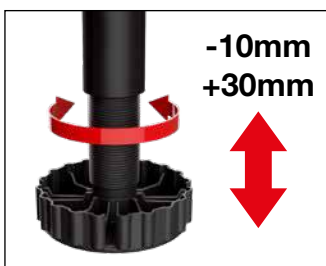
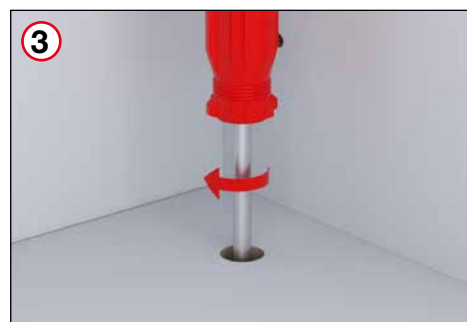
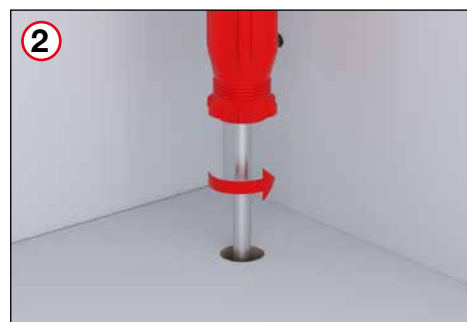
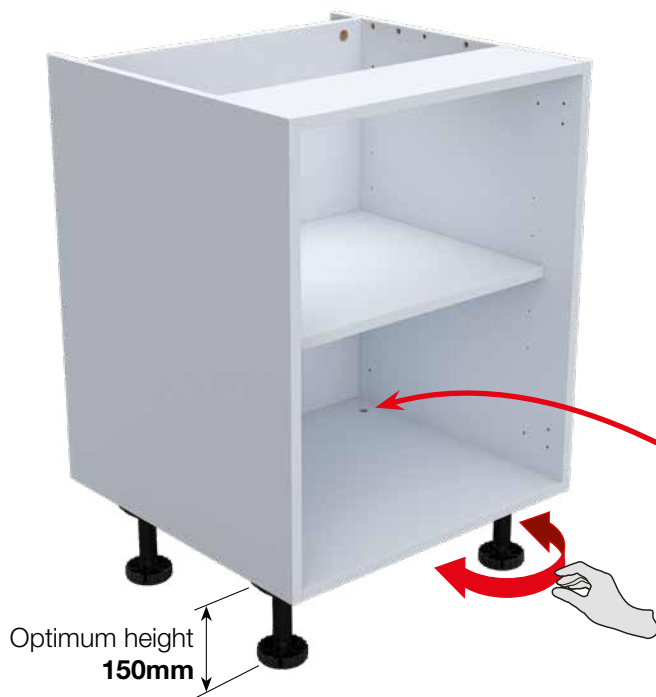
3 Drawer runner positions

Drill runner positions x18,
(5 x 12mm deep).
Add drawer runners x6,
(Drawer pack supplied separately).
Fix hinge plates,
Use 165° hinges for this installation.



Runner screw fitting.

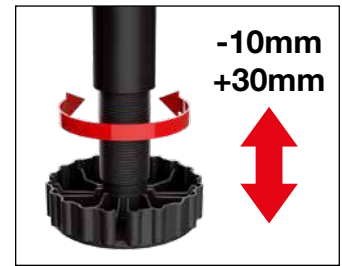
Height adjustment - Base and tower cabinets, (generic)



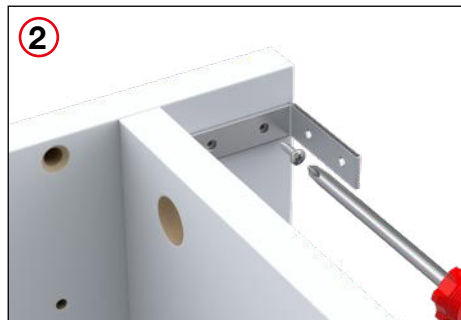
Fix base cabinets to wall




Ensure cabinet is level



x2




 x2
3.5x12mm PH



Use appropriate wall fixings for type of wall, (fixings not supplied).



 x2
3.5x12mm PH

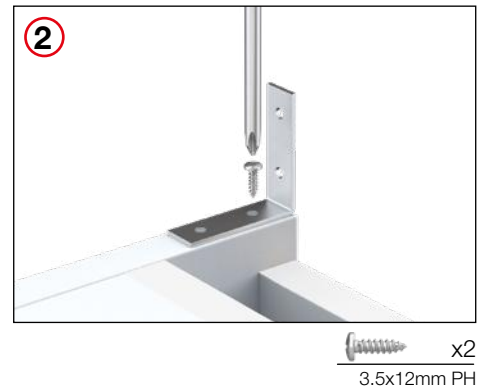
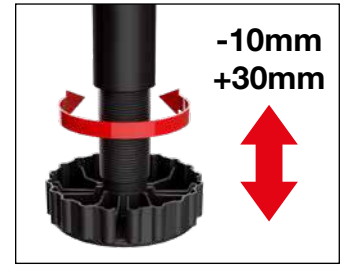


x2

Fix tall cabinets to wall



Ensure cabinet is level



Use appropriate wall fixings for type of wall, (fixings not supplied).

x2
3.5x12mm PH

Fix wall cabinets to wall



Ensure cabinet is level

Use appropriate wall fixings for type of wall, (*fixings not supplied*).

Align top of wall cabinet with the top of an appliance tower/pantry

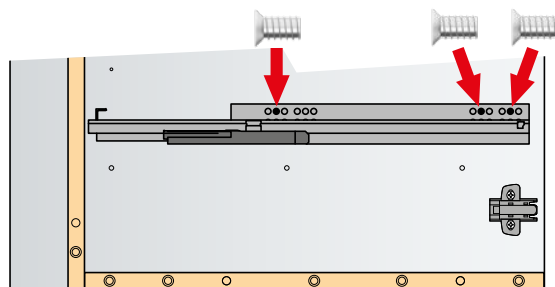
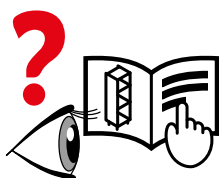
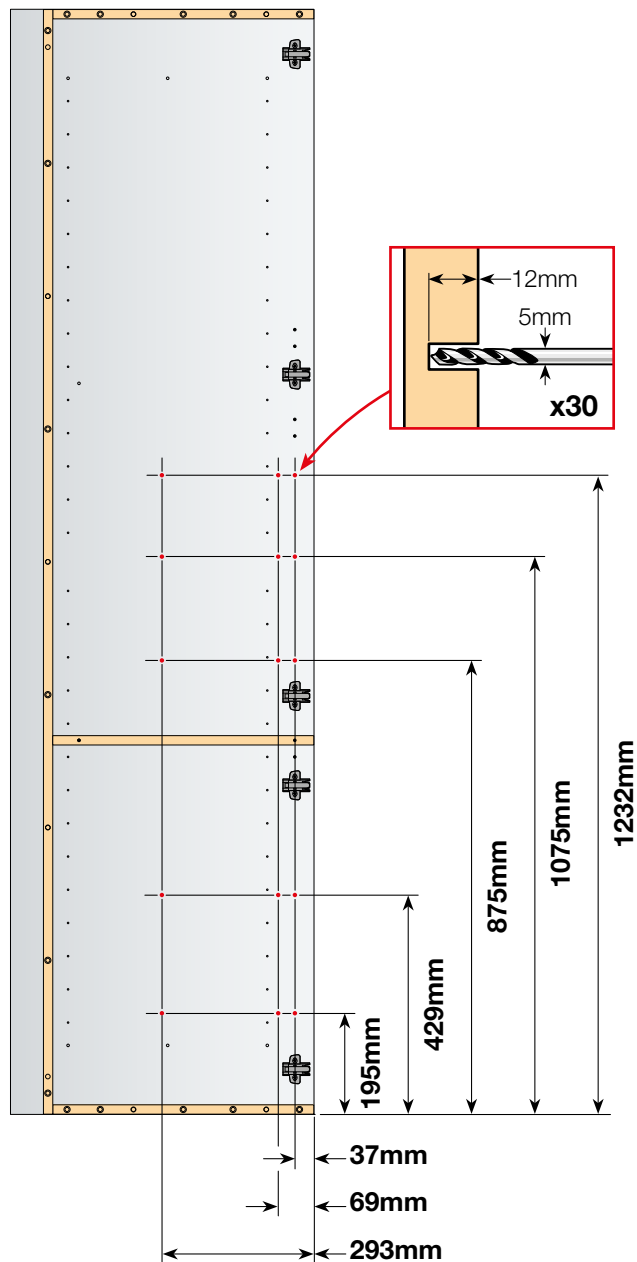
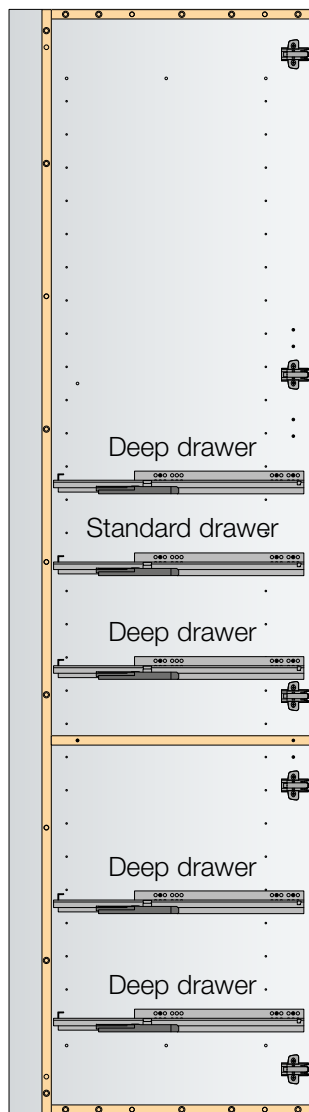
If no appliance tower/pantry is used measure **2280mm** from floor.



500 and 600 Pantry - Internal drawer option (4+1)

5 Drawer runner positions

Drill runner positions x30,
 (5 x 12mm deep).
 Add drawer runners x10,
 (Drawer pack supplied separately).
 Fix hinge plates,
 (RH door opening shown).
 Use 165° hinges for this installation.

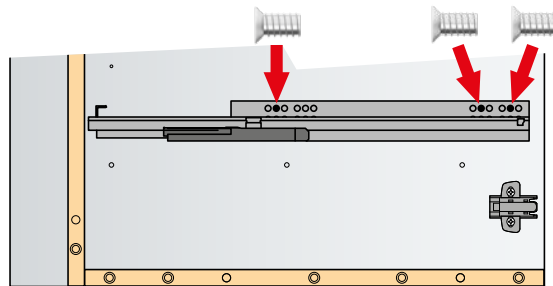
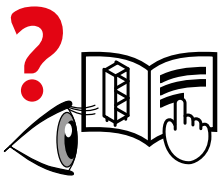
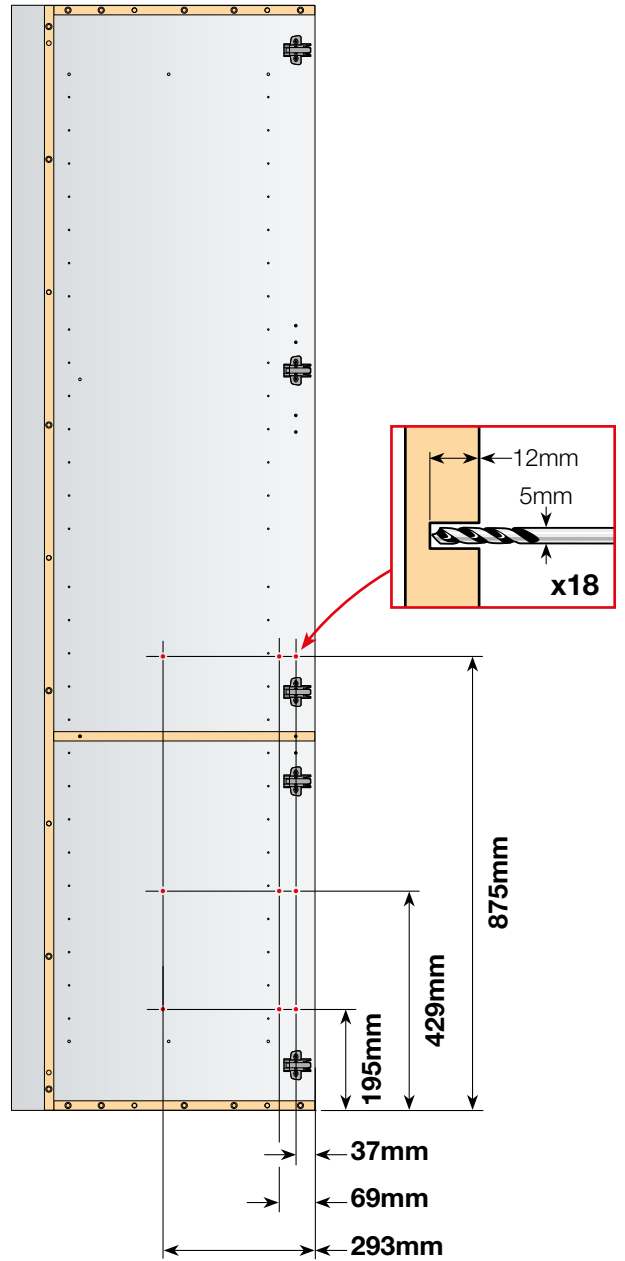
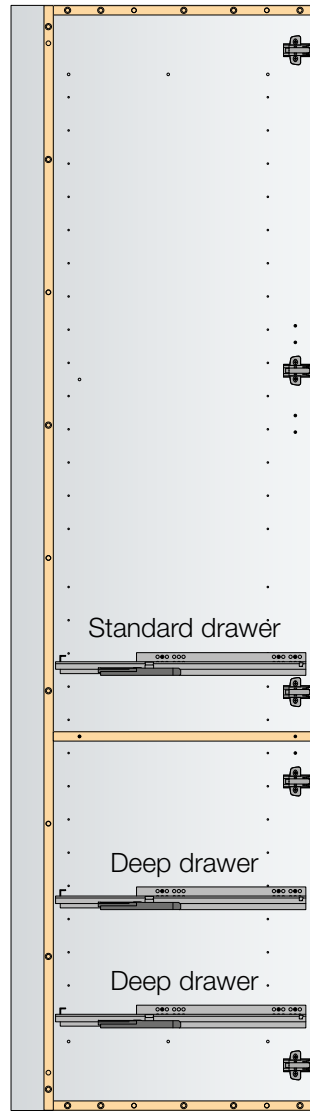


Runner screw fitting.

500 and 600 Pantry - Internal drawer option (2+1)

3 Drawer runner positions

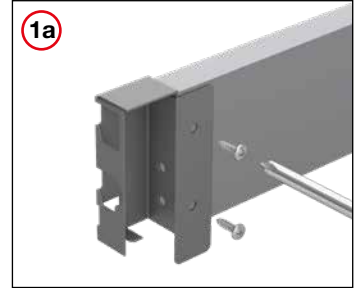
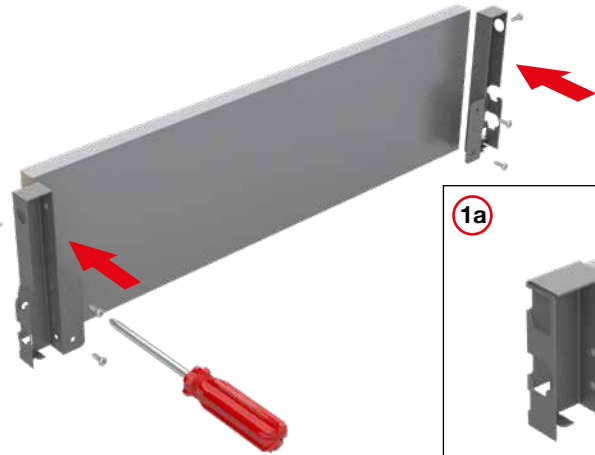
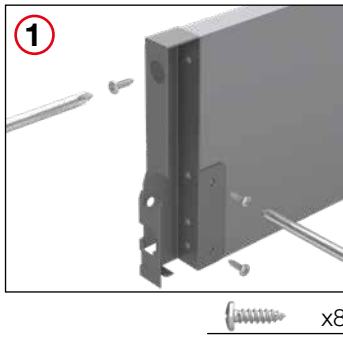
Drill runner positions x18,
 (5 x 12mm deep).
 Add drawer runners x6,
 (Drawer pack supplied separately).
 Fix hinge plates,
 (RH door opening shown).
 Use 165° hinges for this installation.



Runner screw fitting.

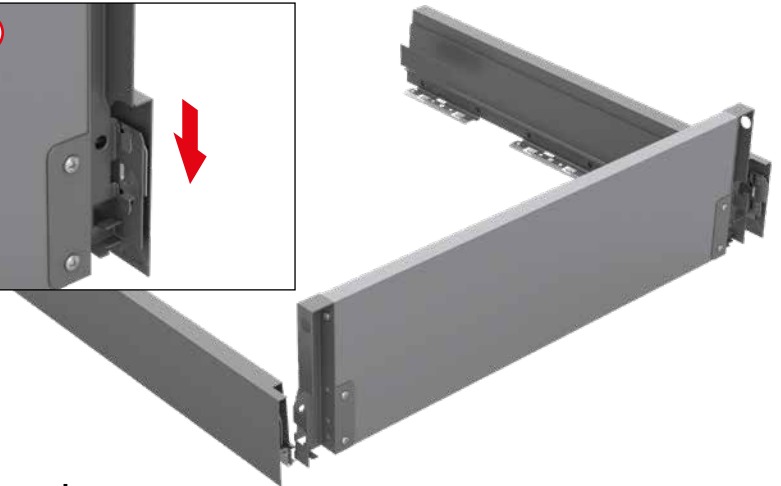
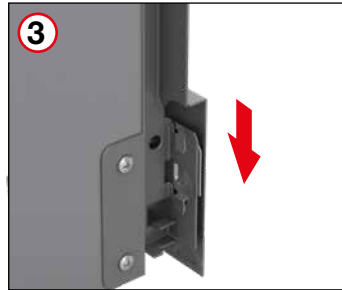
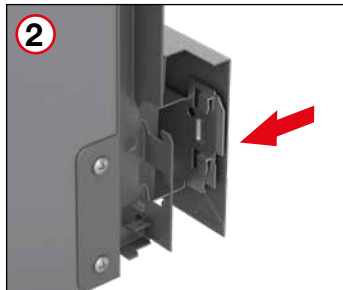
Internal drawer assembly - (deep drawer illustrated, standard drawer similar)

Fix connector brackets to drawer back

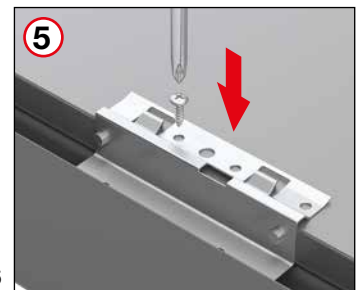
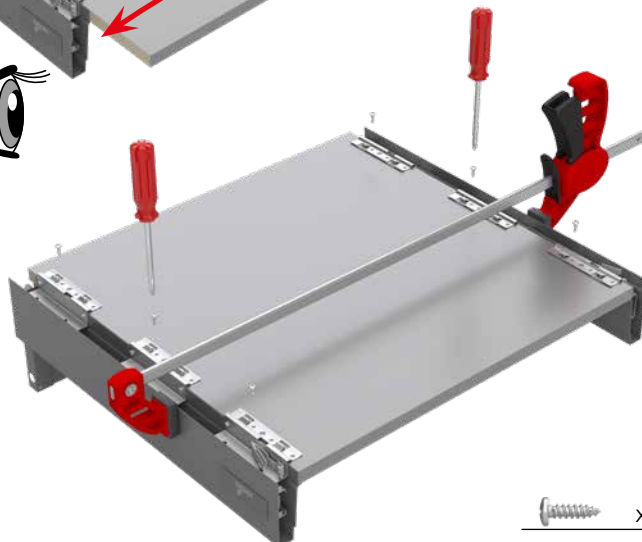
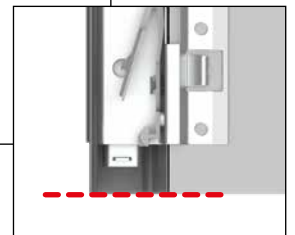
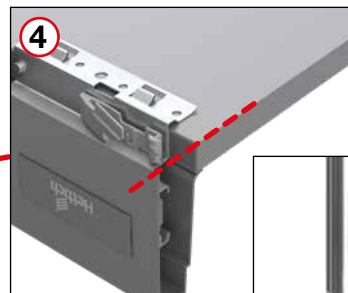
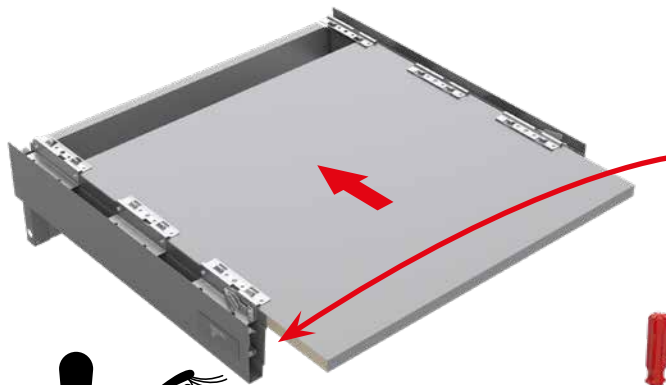


Standard drawer

Add drawer sides



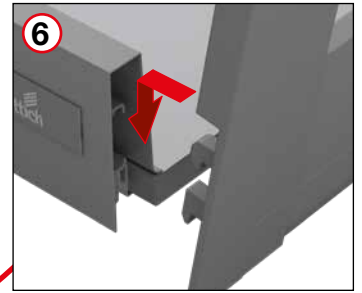
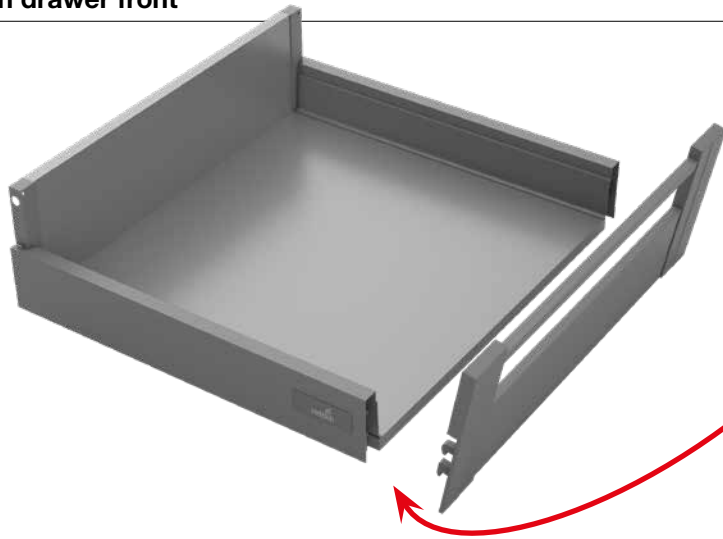
Locate and secure drawer base panel



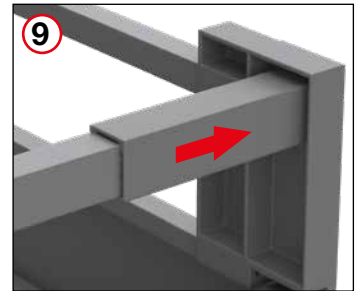
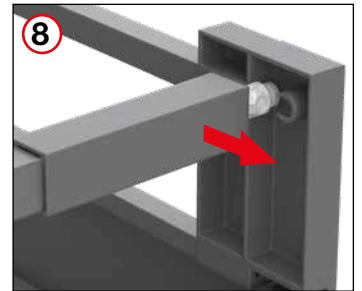
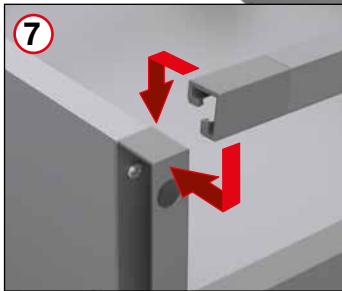
Internal drawer assembly - (deep drawer illustrated, standard drawer similar)



Attach drawer front

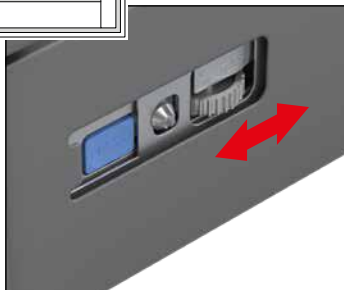
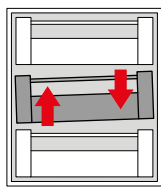


Attach side rails - deep drawer only

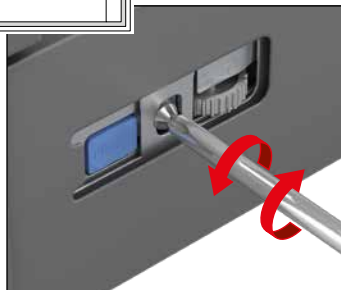
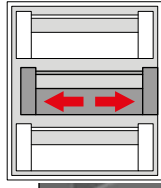


Drawer adjustment

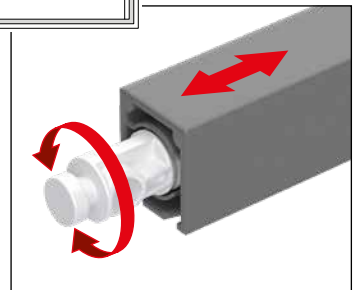
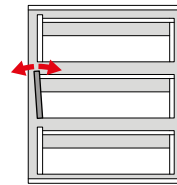
Vertical adjustment



Horizontal adjustment



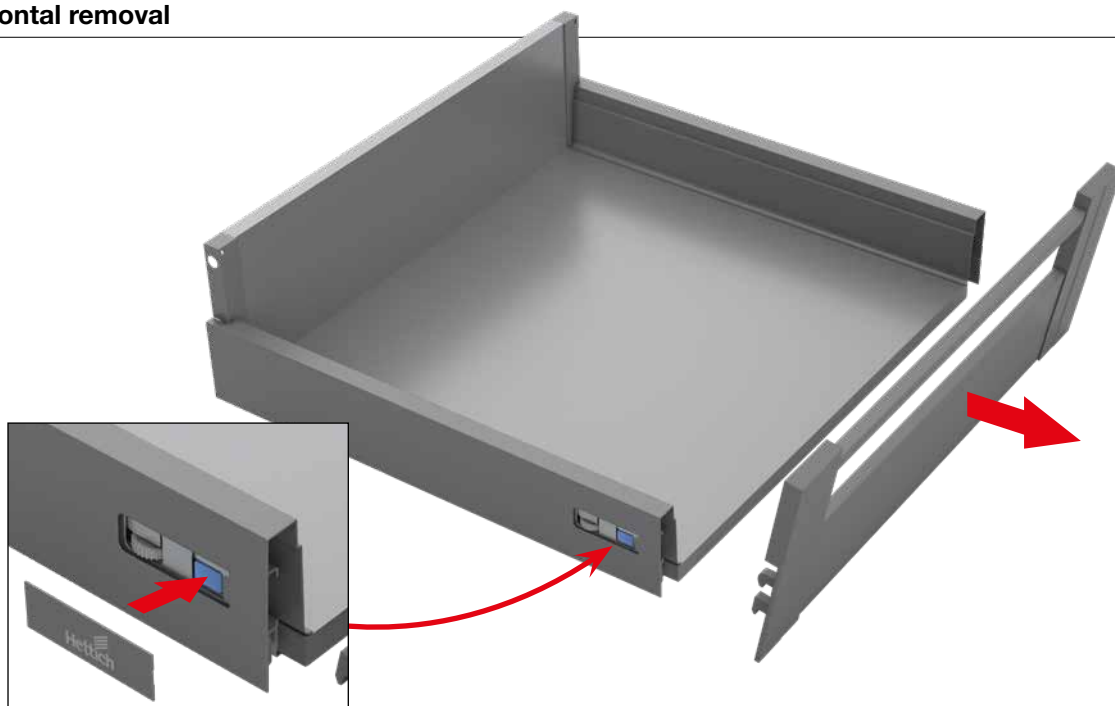
Frontal alignment



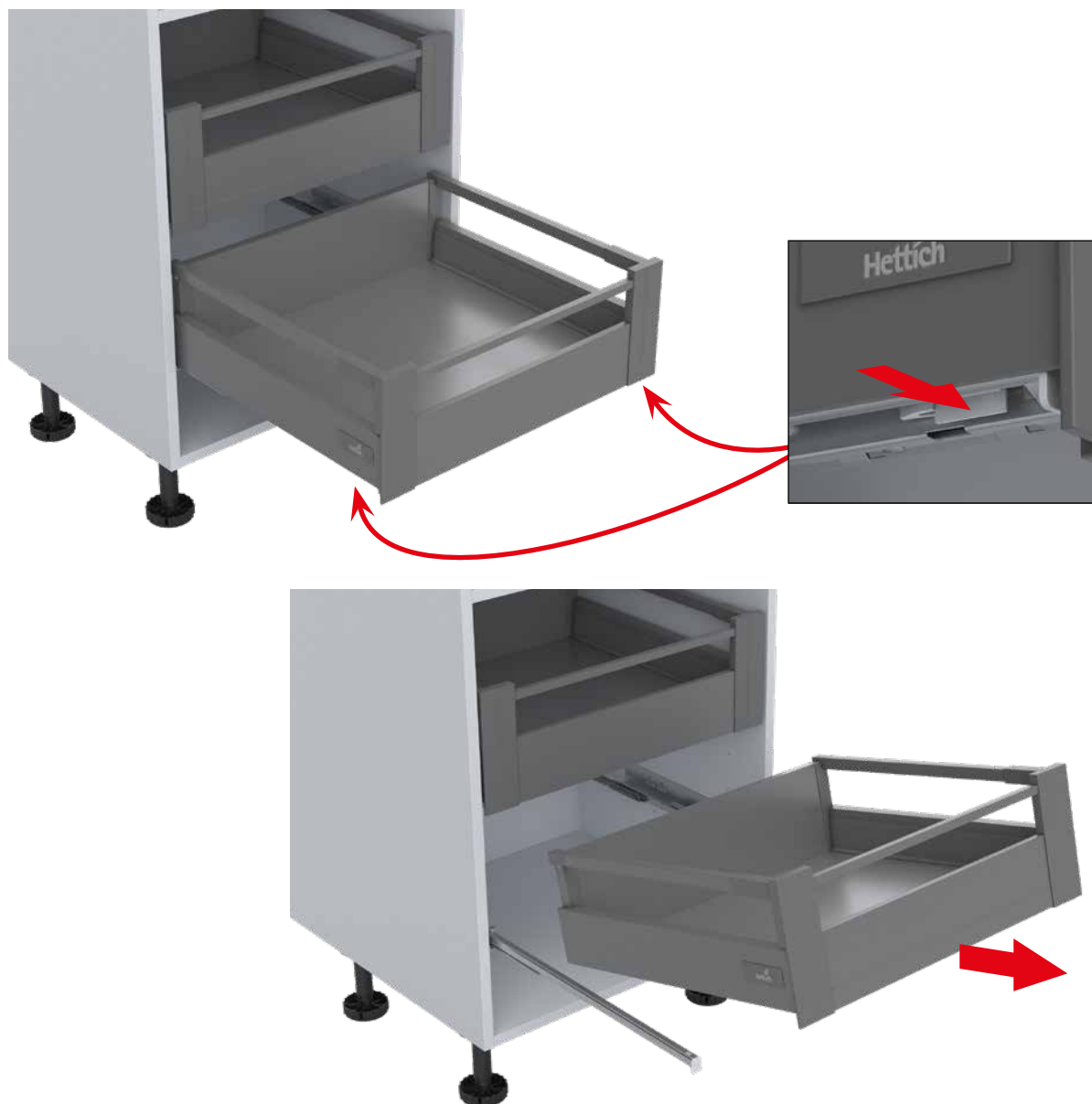
Internal drawer removal



Frontal removal



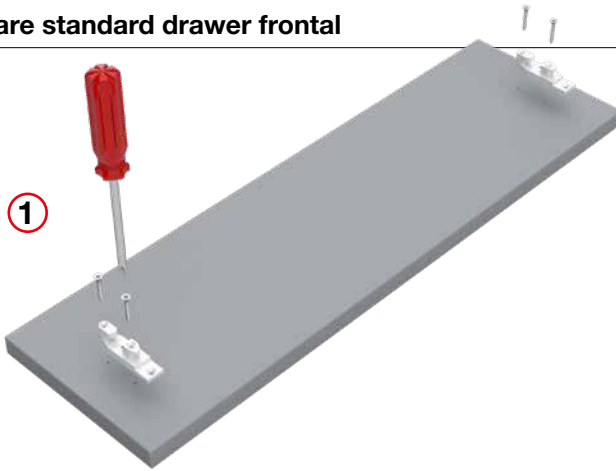
Drawer removal



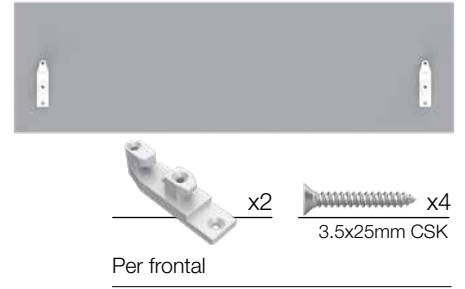
Base drawer frontals



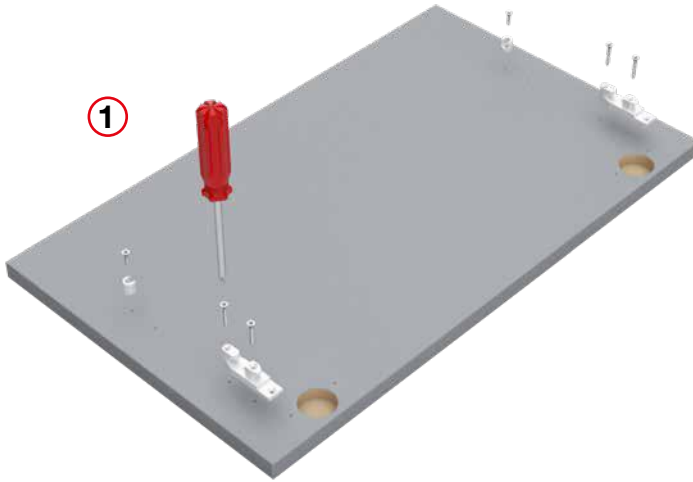
Prepare standard drawer frontal



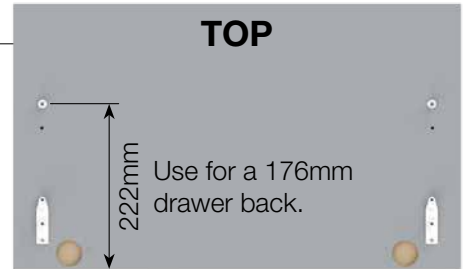
TOP



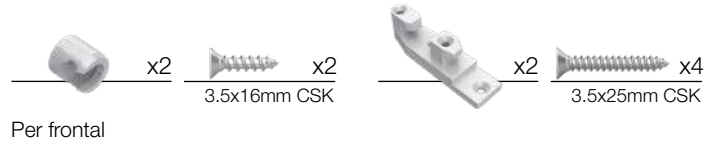
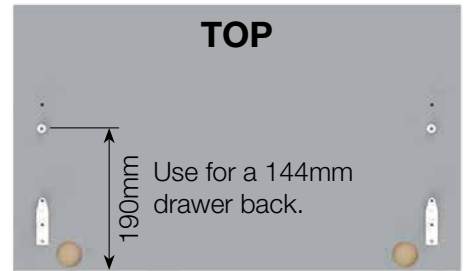
Prepare deep drawer frontal



TOP



TOP

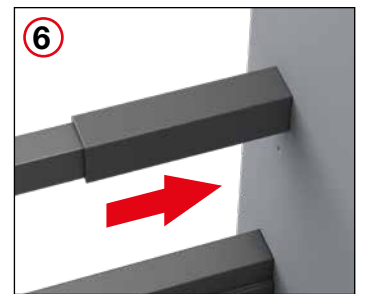
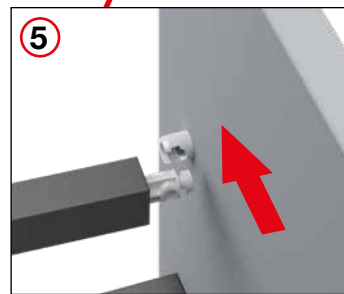
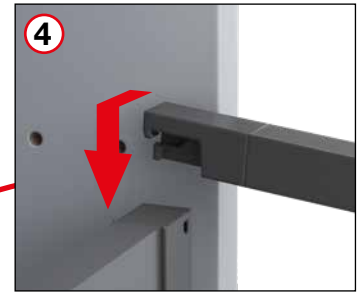


Attach a frontal

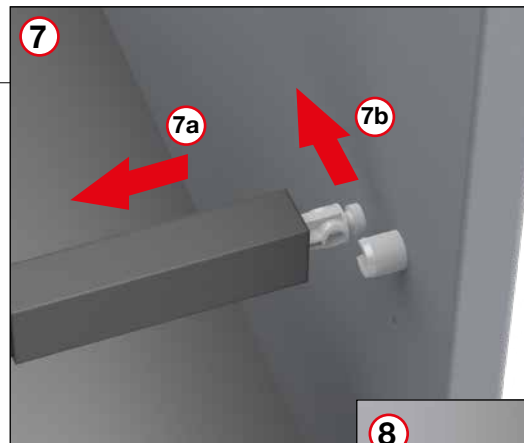


Base drawer frontals

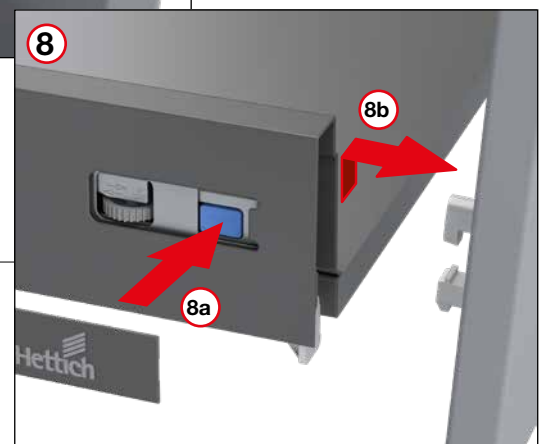
Attach deep drawer side rails



Remove a side rail



Remove a frontal



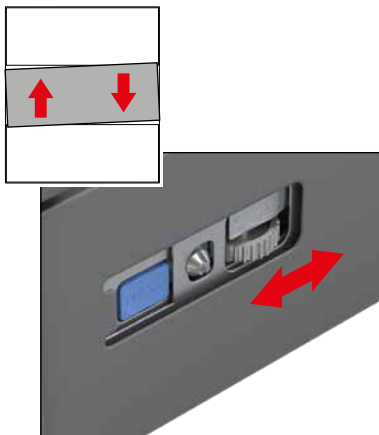
Base drawer frontals

Drawer removal

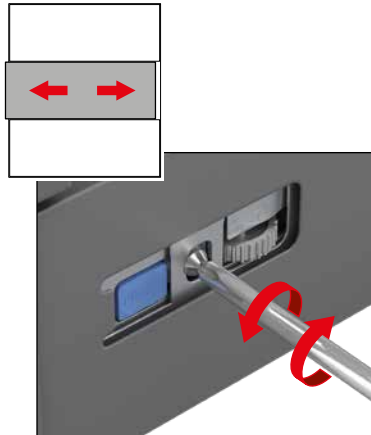


Drawer adjustment

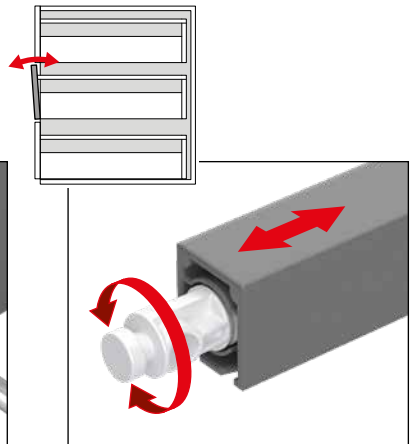
Vertical adjustment



Horizontal adjustment



Deep drawer frontal



Fit door hinges and adjustment

Fit hinge plates

1

x2

Fit hinges to door

2

x2

x4
3.5x13mm CSK

Fit door

3

a

b

CLICK

Adjustment

Door up/down

Door left/right

Door in/out

Right hand opening illustrated, left hand opposite

Door jointing plates - Tower cabinet

Slab door

LH

RH

x8
3.5x13mm CSK

x2

4mm

J Pull door

LH or RH

x6
3.5x13mm CSK

x2

123mm

103mm

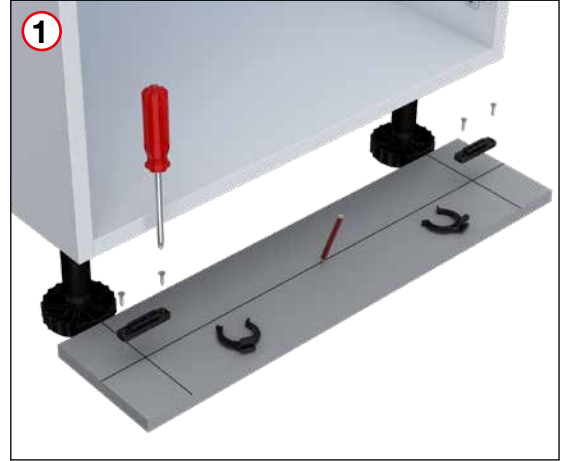
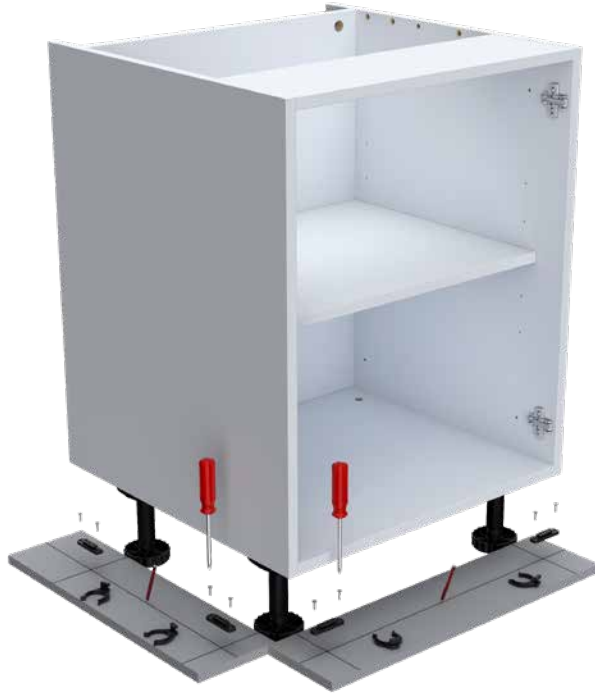
4mm

HAVEN KITCHENS BY FORMICA

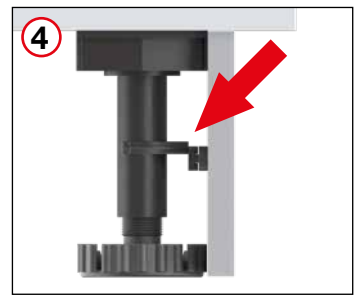
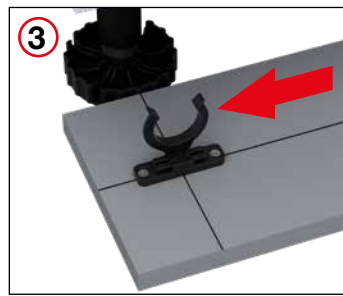
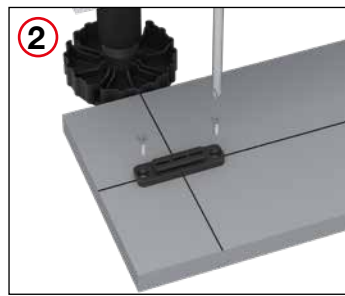
Kick boards



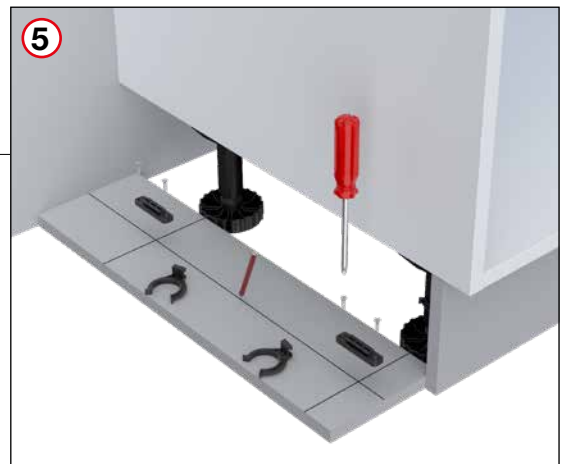
Attach front kick board



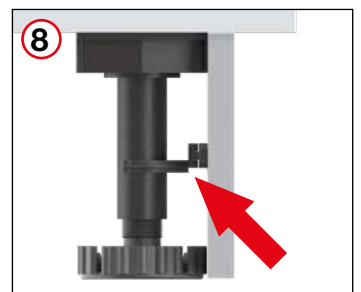
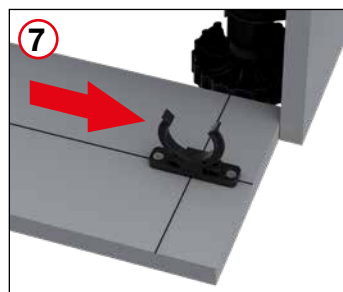
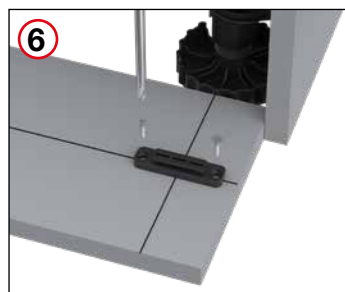
Mark the position of legs and the centre line of kick board.



Attach return kick board

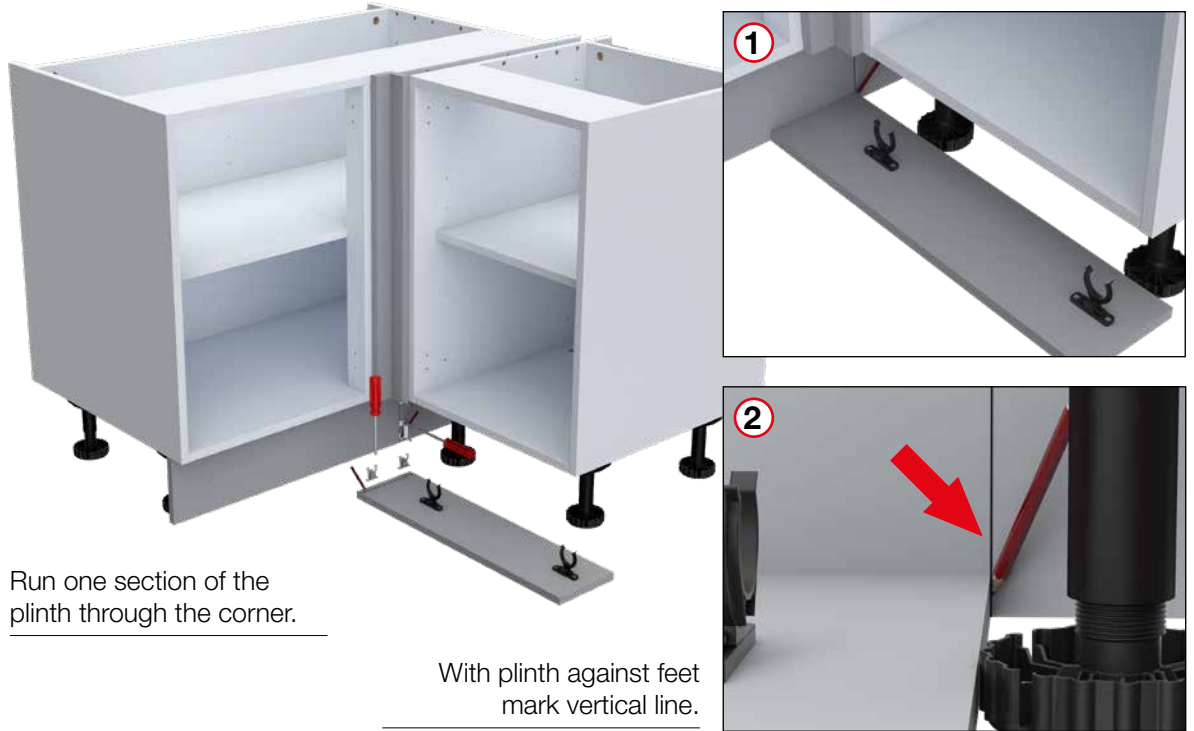


Mark the return position of legs and the centre line of kick board.



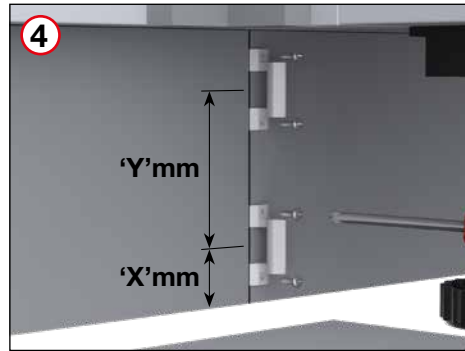
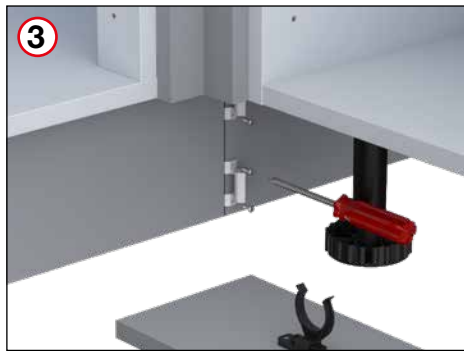
Kick boards

Internal corners

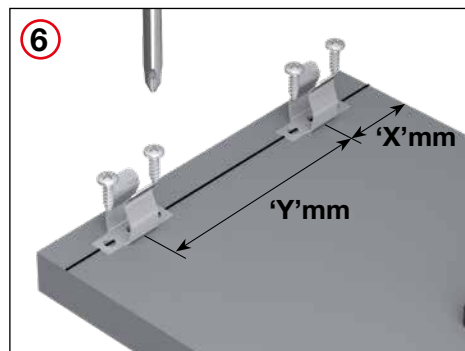
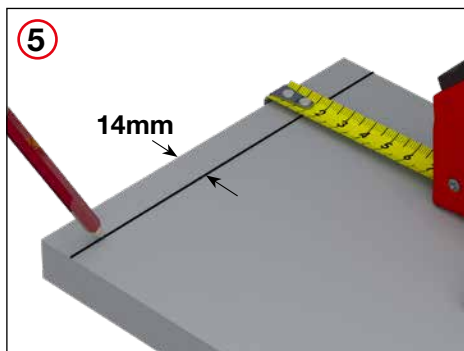


Run one section of the plinth through the corner.

With plinth against feet mark vertical line.



Fix against marked line.



Fix central on marked line.

